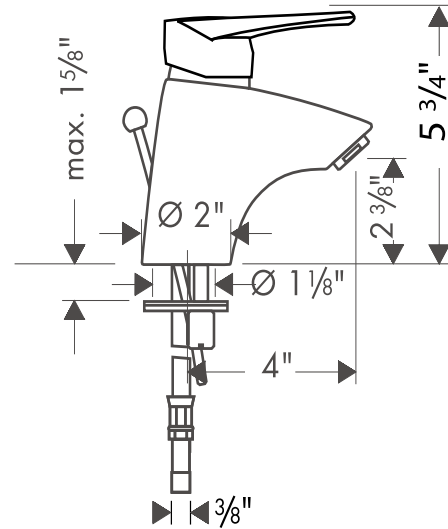


# Metro Single Hole Lavatory Mixer 06571000

Available in Chrome



## Product Specifications

ADA Compliant

Recommended incoming water pressure

22 - 72 PSI

Recommended incoming hot water temperature

120° - 140°F\*

Hole size in mounting surface

min 1 1/4"

max 1 5/8"

Maximum mounting surface thickness

1 5/8"

Flow rate

2.2 gpm max.

3/8" flexible supply hoses - requires 3/8" compression fittings (not included)

\*some municipalities have codes limiting the maximum temperature of the water heater to 120°F or less. Please know and follow all applicable local codes when setting the temperature on the water heater.