

ANGLE WALL-MOUNTED CORNER HAND BASIN, KIT# 26031

- Space-saving contemporary design
- Vitreous china construction
- Available in white only
- Faucet ledge
- Supplied with required strainer-type drain assembly in chrome
- Center hole (1-3/8" dia.) only
- Made in France

Kit Components:

25031 Angle Lavatory single hole only

85010 Grid Drain

Nominal Overall Dimensions:

20-1/4" x 16" (514 x 406mm)

16-1/4" front to back

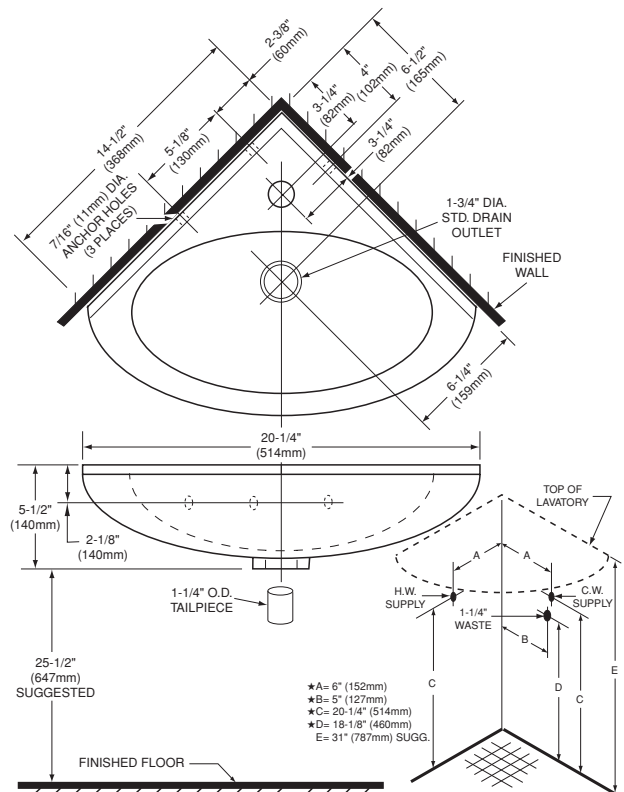
Bowl Inside Dimensions:

14-3/4" (375mm) wide

8-1/2" (216mm) front to back

4-3/8" (111mm) depth

Fixture Dimensions conform to ANSI Standard
A112.19.2M



To Be Specified

- Color:
- Faucet:
- Faucet Finish:
- Supplies:
- 1-1/4" Trap:
- Nipple:

NOTES:

- ★ DIMENSIONS SHOWN FOR LOCATION OF SUPPLIES AND "P" TRAP ARE SUGGESTED.
- PROVIDE SUITABLE REINFORCEMENT FOR ALL WALL SUPPORTS.
- BRACKET SUPPORTS AND MOUNTING FEATURES TO BE FURNISHED BY OTHERS.
- FITTINGS NOT INCLUDED AND MUST BE ORDERED SEPARATELY.

IMPORTANT: Dimensions of fixtures are nominal and may vary within the range of tolerances established by ANSI Standard A112.19.2M. These measurements are subject to change or cancellation. No responsibility is assumed for use of superseded or voided pages.