

mito® 6 whirlpool bath and soaking bath

mito—in Italian, “myth.” our mito®—a whirlpool of fabled luxury.



Think of the Mito® whirlpool bath as a fantastic experience. Legendary hydrotherapy in a roomy, bow-tie shaped bathing well. Integral, dramatic arm-rests and a sloping backrest embrace curves, cradle a tired body. Four TheraPro™ jets and two foot jets massage away tensions. And this legend is available in both 5 and 6-foot versions, and as a soaking bath and Pure Air® bath as well.

features:

- 4 fully adjustable TheraPro™ jets with a maximum flow rate of 30 GPM per jet
- 2 directionally adjustable AccuPro™ foot jets
- Sculpted armrest
- Contoured backrest
- Exclusive Tru-Level™ self-leveling base system
- Slip-resistant bottom

Detail: The Mito® whirlpool bath's sculpted interior features gracious curves, a deep bathing well, and integral armrests.

mito® 6 whirlpool bath

model number: H523 – (RH pump),
H522 – (LH pump)

exterior dimensions:
72" long x 42" wide x 21½" high

interior dimensions (at bottom):
43¾" long x 27" wide x 23" wide

of Jets/type of Jets:
4 TheraPro™ Jets
2 AccuPro™ Foot Jets

operating gallons:
76 gallons

mito® 6 soaking bath

model number: H524

exterior dimensions:
72" long x 42" wide x 21½" high

interior dimensions:
43¾" long x 27" wide





Mito[®] 6 Whirlpool Bath

Model: H522, H523

Mito[®] 6 Bath

Model: H524

Ordering Information

Product Code:

H522 Mito[®] 6 Whirlpool Bath
Left Hand

H523 Mito[®] 6 Whirlpool Bath
Right Hand

H524 Mito[®] 6 Bath

- Center Drain Location
- Accessories / Hardware:
 - Trip-Lever Drain Kit #X559
 - Rotary Drain Kit, 26" Cable #8730
 - 4 X HTC Jet Trim Kit: #D095
 - 2 X BMH Jet Trim Kit: #J869
- Trim Kit Finishes Available:
 - (827) - Chrome
 - (898) - Brushed Chrome
 - (815) - Satin Nickel
 - (829) - Bright Brass
 - (805) - Platinum
 - (826) - Brushed Nickel
 - (849) - Oil Rubbed Bronze

Installation Notes

Refer to installation instructions included with fixture before beginning installation. Please confirm product availability and specifications before commencing with any installation work.

PRODUCT SPECIFICATIONS AND AVAILABILITY ARE SUBJECT TO CHANGE WITHOUT NOTICE.

Electrical Components and Electrical Specifications do not apply to non-jetted baths.

Technical Specifications

Dimensions

72" L x 42" W x 21-1/2" H
(1829 mm) L x (1067 mm) W x (546 mm) H

Drain/Overflow

A: 17-1/2" (445 mm) B: 11-7/8" (302 mm)

Cutout

70" x 40"

Total Weight

H522, H523: 993 lb (451 kg) / 47 lb/sq. ft. (229 kg/m²)
H524: 969 lb (440 kg) / 46 lb/sq. ft. (224 kg/m²)

Operating Gallonage

76 U.S. gal (288 liters)

Product Weight

H522, H523: 110 lb (50 kg)
H524: 86 lb (38 kg)

Skirt Mounting

Not Available

Electrical Specifications Models H522, H523 only

Requires a dedicated GFCI protected separate circuit.

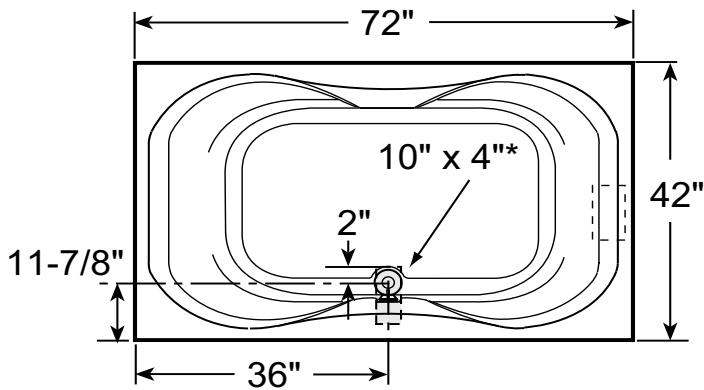
Motor/Pump: 120 VAC, 15 AMP, 60 Hz.

RapidHeat™: 120 VAC, 15 AMP, 60 Hz.

Heater (Optional) Models H522, H523 only

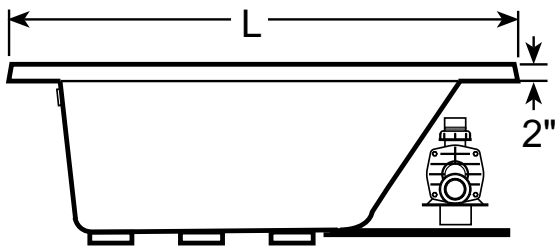
Requires a dedicated GFCI protected separate circuit.

RapidHeat™: P/N S750000

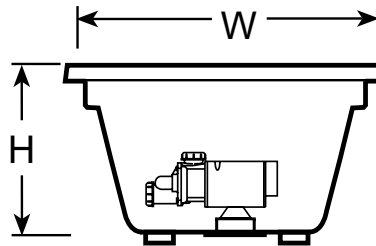


Product Shown: Mito[®] 6 Whirlpool Bath Right Hand Shown Model: H523

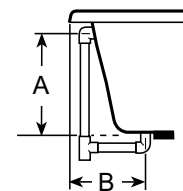
* Measurements inside unit represent cutout in floor to allow for drain/overflow.



SIDE VIEW



END VIEW



DRAIN/OVERFLOW