

mito® 5 whirlpool bath and soaking bath

mito—in Italian, “myth.” our mito®—a whirlpool of fabled luxury.



Think of the Mito® whirlpool bath as a fantastic experience. Legendary hydrotherapy in a roomy, bow-tie shaped bathing well. Integral, dramatic arm-rests and a sloping backrest embrace curves, cradle a tired body. Four TheraPro™ jets and two foot jets massage away tensions. And this legend is available in both 5 and 6-foot versions, and as a soaking bath and Pure Air® bath as well.

features:

- 4 fully adjustable TheraPro™ jets with a maximum flow rate of 30 GPM per jet
- 2 directionally adjustable AccuPro™ foot jets
- Sculpted armrest
- Contoured backrest
- Exclusive Tru-Level™ self-leveling base system
- Slip-resistant bottom

mito® 5 whirlpool bath

model number: H520 – (RH pump),
H519 – (LH pump)

exterior dimensions:
60" long x 42" wide x 21" high

interior dimensions:
34½" long x 25½" wide x 22" wide

of Jets/type of Jets:
**4 TheraPro™ Jets, 2 AccuPro™
Foot Jets**

operating gallons:
62 gallons

mito® 5 soaking bath

model number: H521

exterior dimensions:
60" long x 42" wide x 21" high

interior dimensions:
34½" long x 25½" wide

Detail: The Mito® whirlpool bath's sculpted interior features gracious curves, a deep bathing well, and integral armrests.





Mito[®] 5 Whirlpool Bath

Model: H520, H519

Mito[®] 5 Bath

Model: H521

Ordering Information

Product Code:

H520 Mito[®] 5 Whirlpool Bath

Right Hand

H519 Mito[®] 5 Whirlpool Bath

Left Hand

H521 Mito[®] 5 Bath

- Center Drain Location
- Accessories / Hardware:
 - Trip-Lever Drain Kit #X559
 - Rotary Drain Kit, 26" Cable #8730
 - 4 X HTC Jet Trim Kit: #D095
 - 2 X BMH Jet Trim Kit: #J869
- Trim Kit Finishes Available:
 - (827) - Chrome
 - (898) - Brushed Chrome
 - (815) - Satin Nickel
 - (829) - Bright Brass
 - (805) - Platinum
 - (826) - Brushed Nickel
 - (849) - Oil Rubbed Bronze

Installation Notes

Refer to installation instructions included with fixture before beginning installation. Please confirm product availability and specifications before commencing with any installation work.

PRODUCT SPECIFICATIONS AND AVAILABILITY ARE SUBJECT TO CHANGE WITHOUT NOTICE.

Electrical Components and Electrical Specifications do not apply to non-jetted baths.

Technical Specifications

Dimensions

60" L x 42" W x 21" H
(1524 mm) L x (1067 mm) W x (533 mm) H

Drain/Overflow

A: 17-1/2" (445 mm) B: 11-7/8" (302 mm)

Cutout

58" x 40"

Total Weight

H520, H519: 866 lb (394 kg) / 50 lb/sq. ft. (244 kg/m²)
H521: 842 lb (382 kg) / 48 lb/sq. ft. (234 kg/m²)

Operating Gallonage

62 U.S. gal (235 liters)

Product Weight

H520, H519: 100 lb (45 kg)
H521: 76 lb (35 kg)

Skirt Mounting

Optional U-Frame

Electrical Specifications Models H520, H519 only

Requires a dedicated GFCI protected separate circuit.

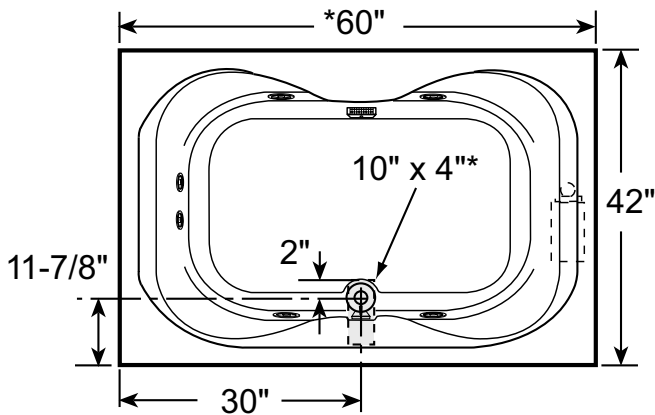
Motor/Pump: 120 VAC, 15 AMP, 60 Hz.

RapidHeat™: 120 VAC, 15 AMP, 60 Hz.

Heater (Optional) Models H520, H519 only

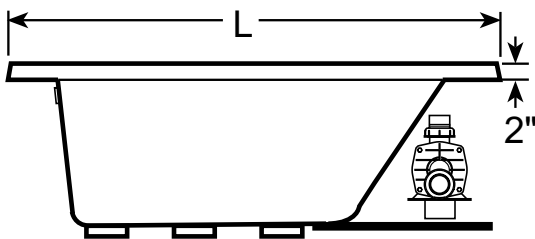
Requires a dedicated GFCI protected separate circuit.

RapidHeat™: P/N S70000

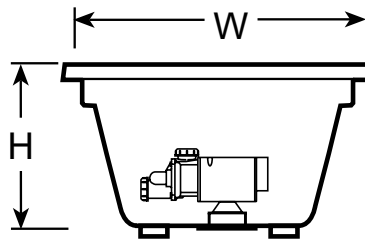


Product Shown: Mito[®] 5 Whirlpool Bath Right Hand Shown Model: H520

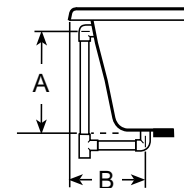
* Measurements inside unit represent cutout in floor to allow for drain/overflow.



SIDE VIEW



END VIEW



DRAIN/OVERFLOW