

**Features**

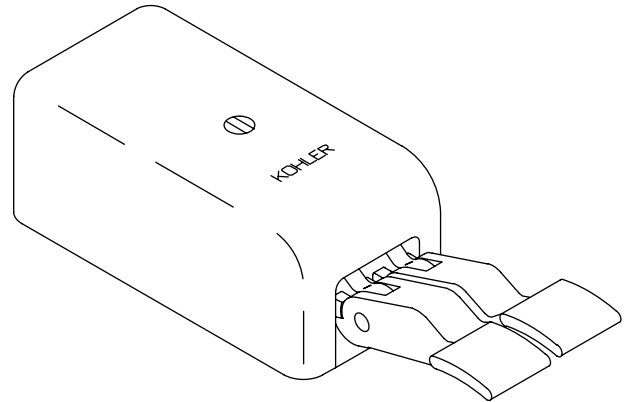
- Brass construction
- Floor-mount
- 3/8" NPT inside threaded inlets
- Self-closing mixing valve
- Loose key stops
- Machined aluminum finish on pedals
- Intended for use with cold, hot, or tempered water

**Codes/Standards Applicable**

Specified model meets or exceeds the following:

- ASME A112.18.1M
- IAPMO/UPC

**DOUBLE FOOT CONTROL  
K-13808**



**Colors/Finishes**

- CP: Polished Chrome

**Specified Model**

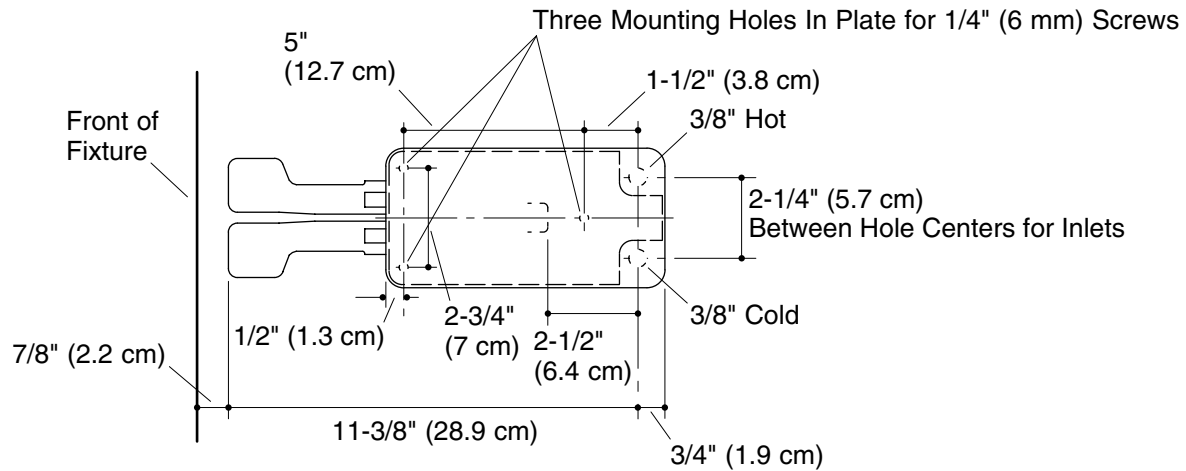
Model	Description	Color/Finish
K-13808	Double foot control	<input type="checkbox"/> CP

**PRODUCT SPECIFICATION**

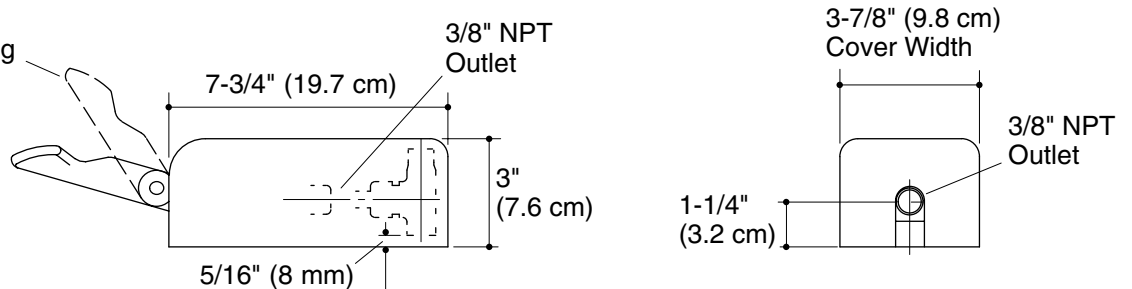
Floor-mount double foot control shall be of brass construction. Product shall feature a self-closing mixing valve and machined aluminum finish on pedals. Product shall feature loose key stops and 3/8" NPT inside threaded inlets. Product is intended for cold, hot, or tempered water. Double foot control shall be Kohler Model K-13808-CP.

## Installation Notes

Install this faucet following the installation instructions provided.



Pedal in Raised Position for Cleaning



## Product Diagram