

TWO HANDLE THERMOSTATIC SHOWER VALVE ONLY

Description

- 3-port thermostatic valve with separate ceramic disc volume control
- 1/2" combination IPS/Copper sweat on all three ports
- With temperature limit adjustment
- Plaster guard included

Flow & Valving

- See Chart

Standards

- ASME A112.18.1
- CSA B125
- ASSE 1016
- Listed IAPMO/UPC

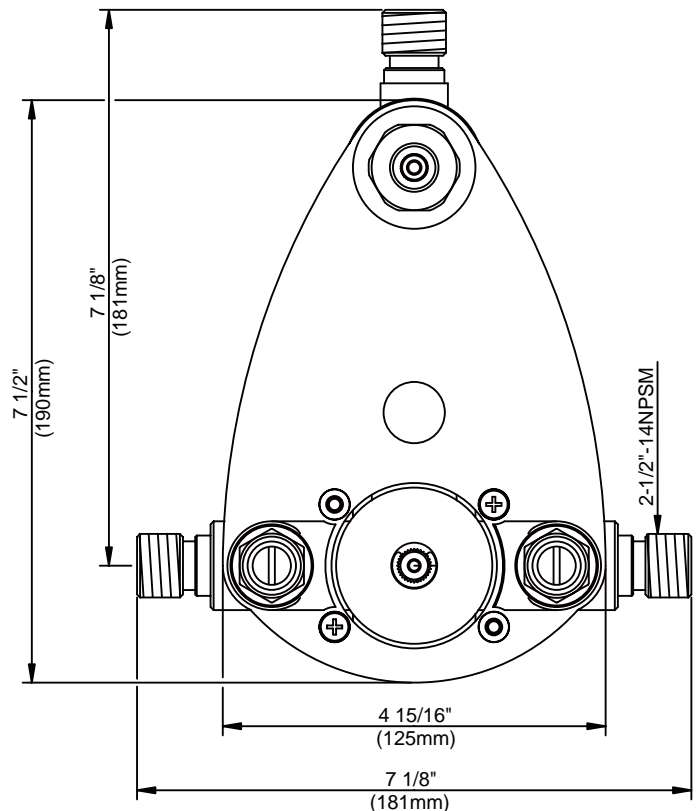
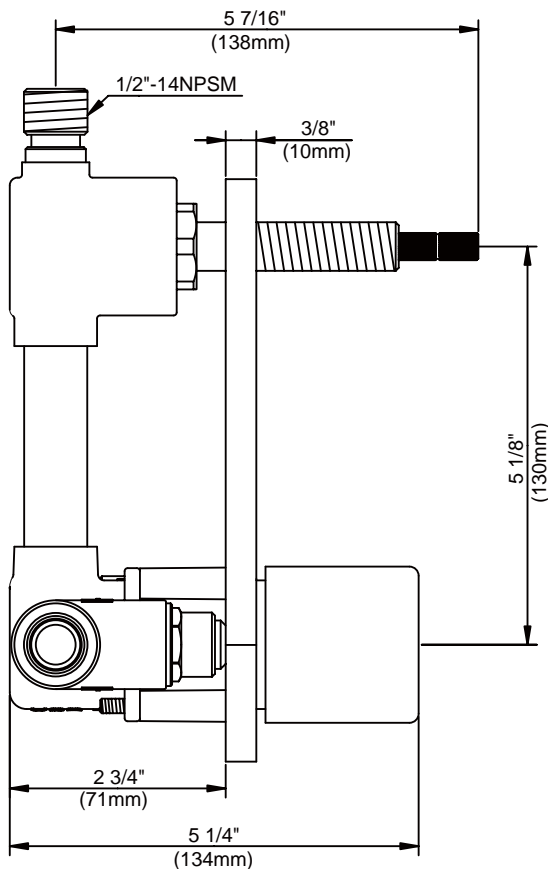
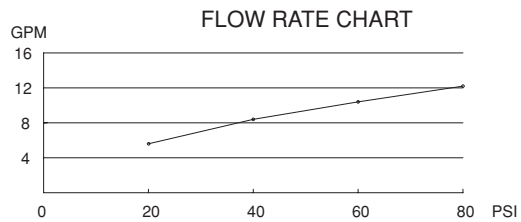
Warranty

Danze products are covered by a manufacturer's limited "lifetime" warranty for manufacturing defects.



Available Colors & Finish
• Rough Brass

D150000BT



Specific Features: _____ Submitted Model No.: _____

SD150000BT/03-06.01