

Central Brass

MANUFACTURING COMPANY

2950 East 55th St. Cleveland, Ohio 44127

Phone: (216) 883-0220 Fax: (216) 883-0875

www.CentralBrass.com

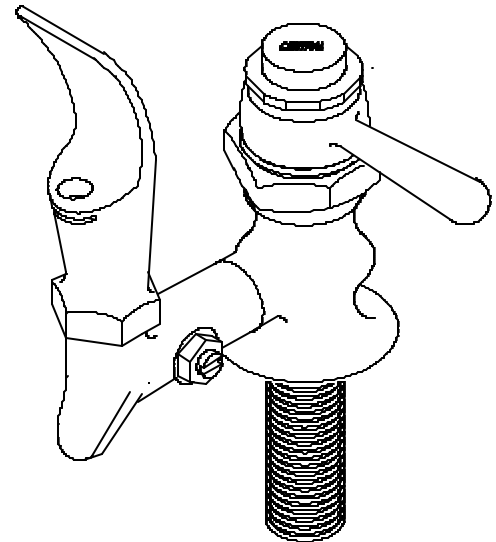
**MODEL NO. 0364-L
DRINKING FAUCET**

The drinking faucet has a self closing lever operated valve. The valve body is cast brass with a replaceable seat. The connecting arm is forged brass with an adjustable restrictor that limits the flow through the faucet. The drinking faucet guard is forged brass with a self draining slot. All of the exterior surfaces of the drinking faucet are polished and chrome plated.

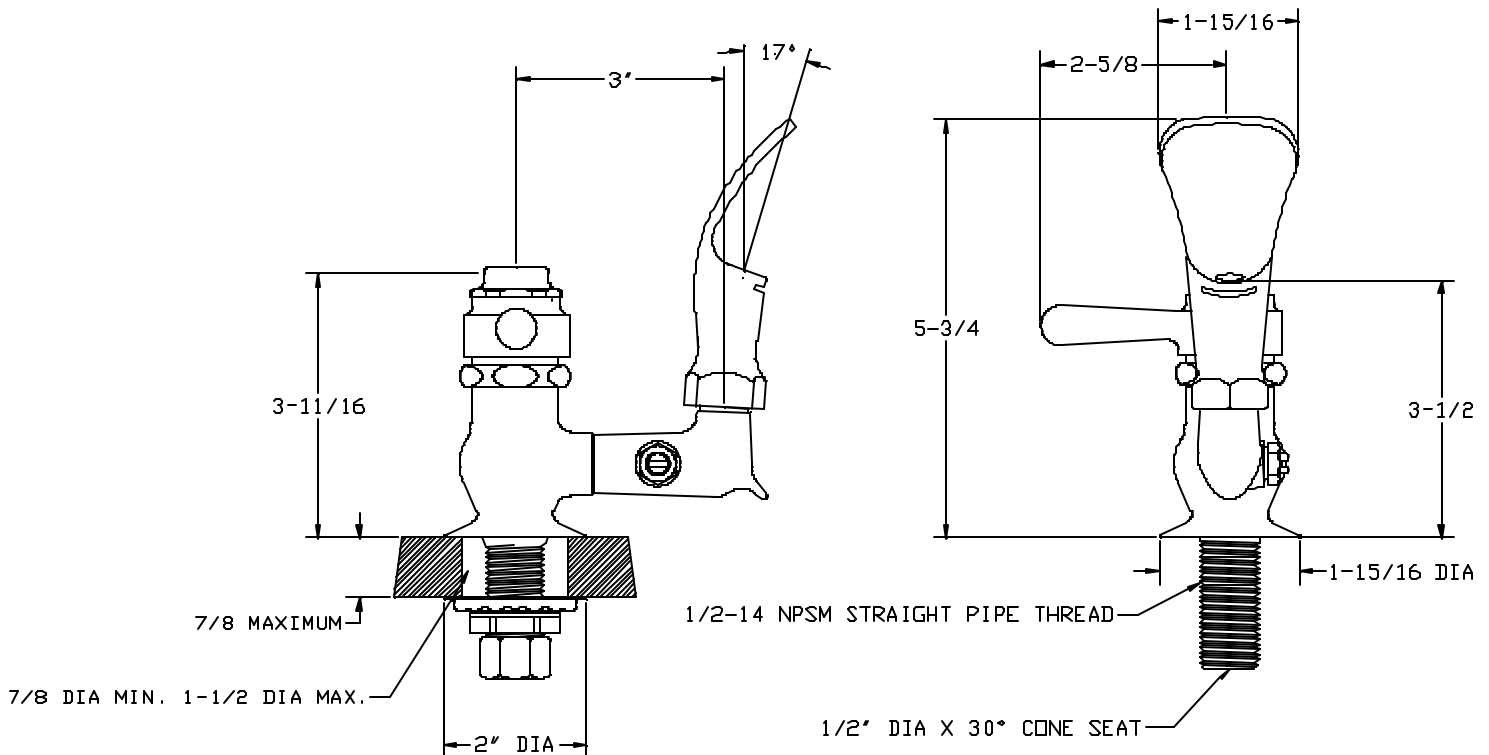
ANSI/NSF 61/Section 9 Certified
ASME A112.18.1M



Certified to
ANSI/NSF 61/Section 9



Installation Drawing



Central Brass

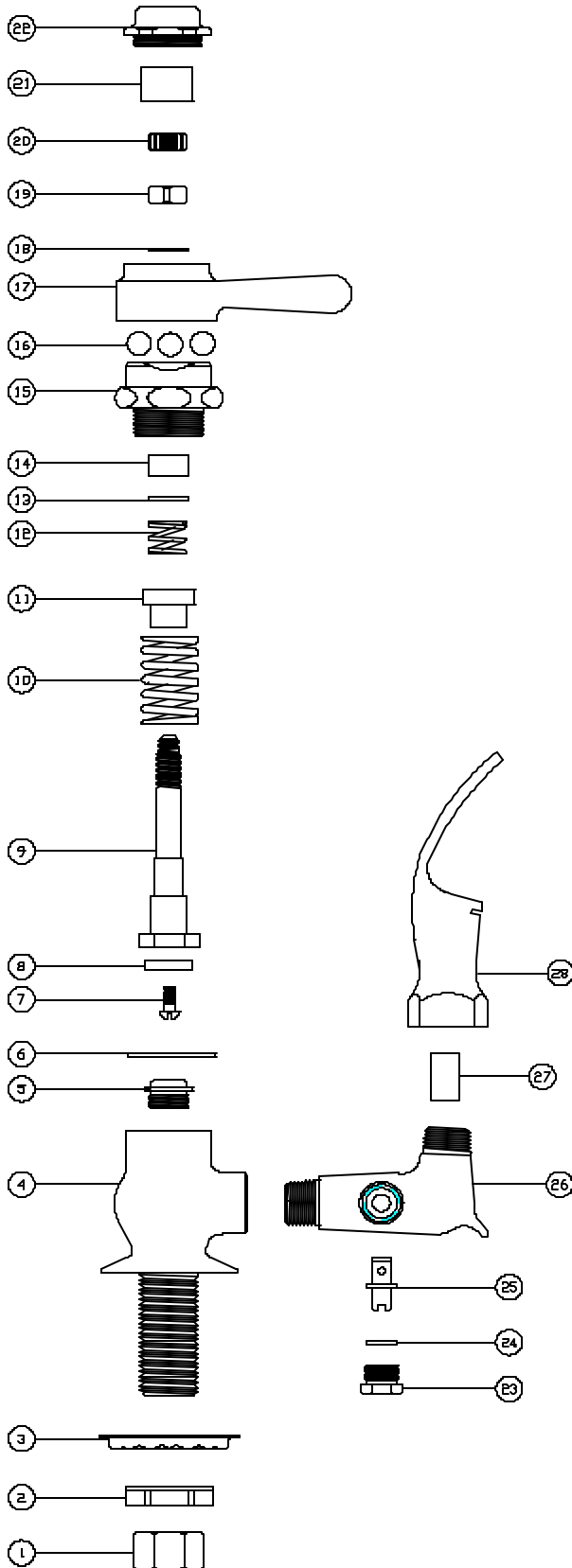
MANUFACTURING COMPANY

2950 East 55th St. Cleveland, Ohio 44127

Phone: (216) 883-0220 Fax: (216) 883-0875

www.CentralBrass.com

MODEL NO. 0364-L
DRINKING FAUCET



Parts Breakdown

#	Part#	Description
1	4015-BAR	Brass Coupling Nut
2	7133-AZ	ZincDichromate Locknut
3	54	Steel Crowfoot Washer
4	7072	Brass Body
5	PF-59	Brass Seat
6	433-AN	Nylon Gasket
7	104-02	Brass Seat Washer Screw CP
8	904-N	Seat Washer
9	PF-7101-AF	Brass Stem
10	1008-B	Stainless Steel Spring
11	PF-70-F	Brass Gland
12	70-D	Stainless Steel Spring
13	PF-33-A	Brass Washer
14	849-GN	Packing
15	7106-F	Brass Centerpiece
16	71	Brass Bearings
17	103-HSSS	Stainless Steel Set Screw (for vandal resistant V – suffix)
18	PF-7114-PV	Brass Lever Handle (for vandal resistant V – suffix)
18	PF-7114-P	Brass Lever Handle
19	33-A	Brass Washer
20	68-HX	Brass Nut
21	PF-67-AC	Celcon Samson Nut
22	69-C	Celcon Sleeve
23	PF-7125	Brass Handle Cap
24	PF-1090-J	Brass Regulator Cap
25	1090-HN	Nylon Gasket
26	PF-756-E	Brass Regulator Stem
27	PF-6965-FM-02	Brass Connector
28	70-M	Brass Streamformer
29	PF-6946-F	Brass Bubbler Guard