

# Central Brass

MANUFACTURING COMPANY

2950 East 55<sup>th</sup> St. Cleveland, Ohio 44127

Phone: (216) 883-0220 Fax: (216) 883-0875

www.CentralBrass.com

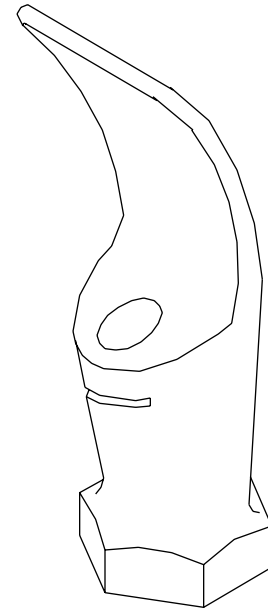
**MODEL NO. 0376**  
**DRINKING FAUCET HEAD**

The drinking faucet head is made from a brass forging. It is polished and copper, nickel, and chrome plated. The head has a hexagonal base with a 3/8 inch female pipe connection. The drinking faucet outlet is slotted to allow the water to drain and to provide self cleaning of sediment and dust.

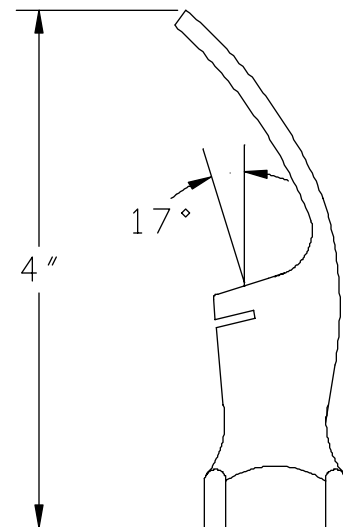
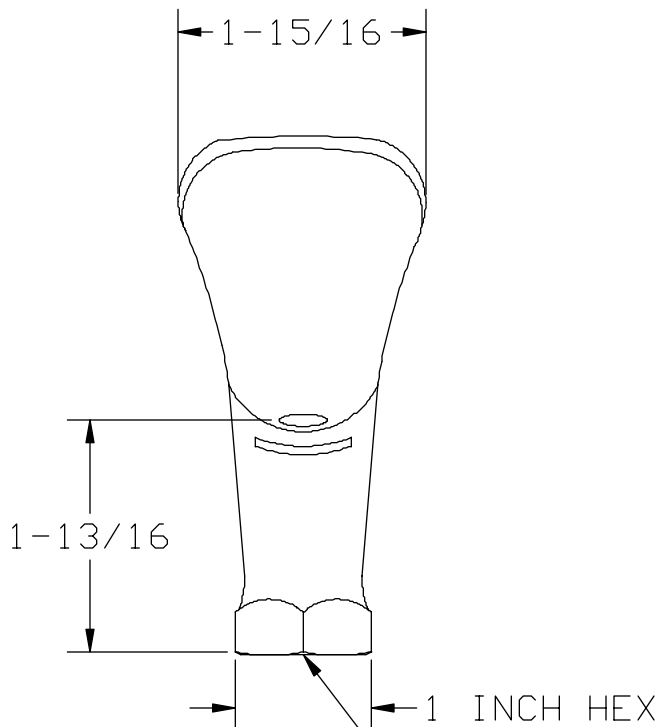
ANSI/NSF 61/Section 9 Certified  
ASME A112.18.1M



Certified to  
ANSI/NSF 61/Section 9



## Installation Drawing



3/8-18 NPSM FEMALE STRAIGHT PIPE THREAD

# Central Brass

MANUFACTURING COMPANY

2950 East 55<sup>th</sup> St. Cleveland, Ohio 44127

Phone: (216) 883-0220 Fax: (216) 883-0875

www.CentralBrass.com

**MODEL NO. 0376**  
**DRINKING FAUCET HEAD**

## Parts Breakdown

#	Part#	Description
1	PF-6946-F	Brass Bubbler Guard

