

# Central Brass

MANUFACTURING COMPANY

2950 East 55<sup>th</sup> St. Cleveland, Ohio 44127

Phone: (216) 883-0220 Fax: (216) 883-0875

www.CentralBrass.com

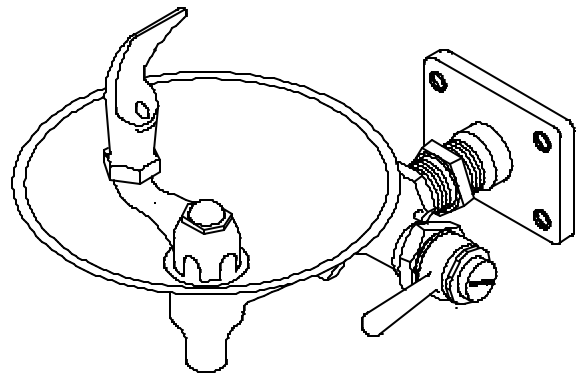
MODEL NO. 0366-HX8WB  
DRINKING FAUCET

The drinking faucet has a self closing lever operated valve. The valve body is cast brass with a replaceable seat. The connecting arm is forged brass with an adjustable restrictor that limits the flow through the faucet. The drinking faucet guard is forged brass with a self draining slot. All of the exterior surfaces of the drinking faucet are polished and chrome plated.

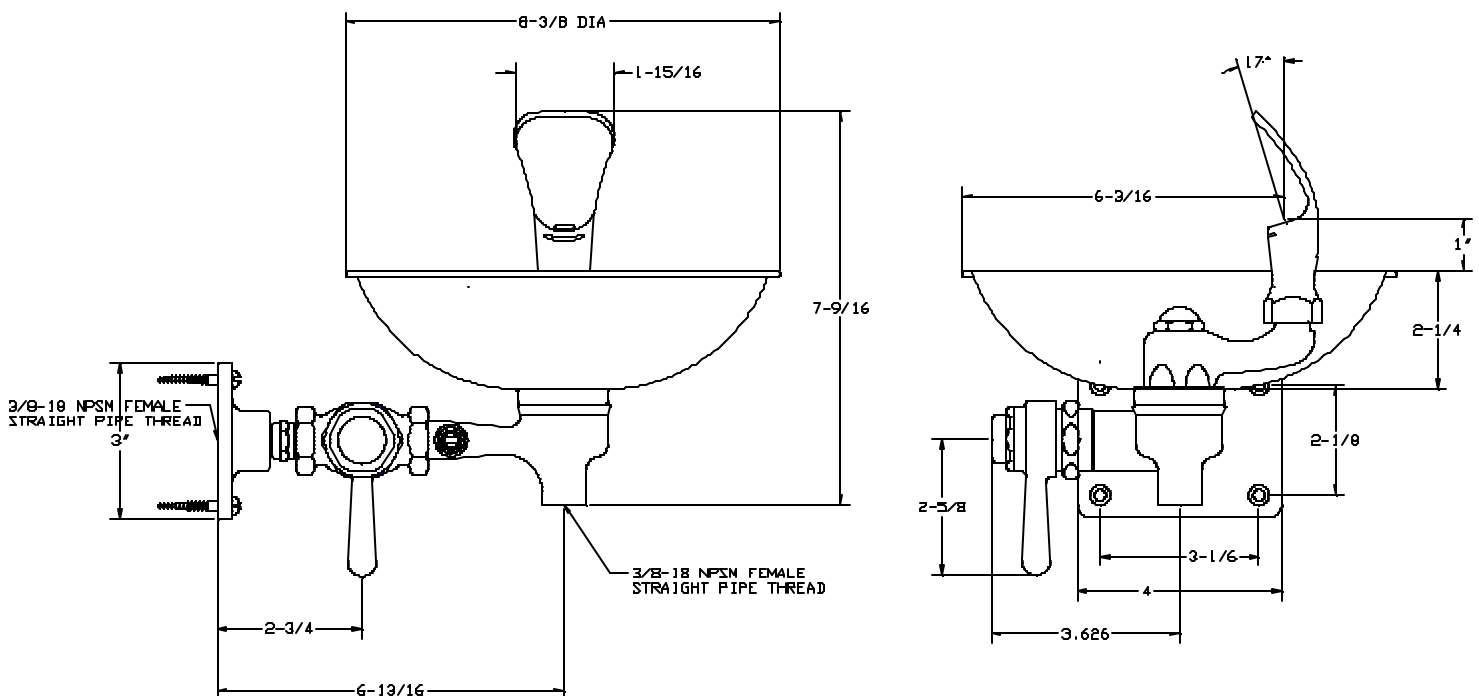
ANSI/NSF 61/Section 9 Certified  
ASME A112.18.1M



Certified to  
ANSI/NSF 61/Section 9



## Installation Drawing



# Central Brass

MANUFACTURING COMPANY

2950 East 55<sup>th</sup> St. Cleveland, Ohio 44127

Phone: (216) 883-0220 Fax: (216) 883-0875

www.CentralBrass.com

**MODEL NO. 0366-HX8WB  
DRINKING FAUCET**

## Parts Breakdown

#	Part#	Description
1	2887	Brass Wall Bracket
2	PF-362-FR	Brass Nipple
3	6900	Brass Body
4	PF-59	Brass Seat
5	433-AN	Nylon Gasket
6	104-02	Brass Seat Washer Screw CP
7	904-N	Seat Washer
8	PF-7101-AF	Brass Stem
9	1008-B	Stainless Steel Spring
10	PF-70-F	Brass Gland
11	70-D	Stainless Steel Spring
12	PF-33-A	Brass Washer
13	849-GN	Packing
14	7106-F	Brass Centerpiece
15	71	Brass Bearings
16	PF-7114-P	Brass Lever Handle
17	33-A	Brass Washer
18	68-HX	Brass Nut
19	PF-67-AC	Celcon Samson Nut
20	69-C	Celcon Sleeve
21	PF-7125	Brass Handle Cap
22	PF-1090-J	Brass Regulator Cap
23	1090-HN	Nylon Gasket
24	PF-756-E	Brass Regulator Stem
25	7071	Brass Body
26	1038-S	O-Ring
27	PF-398-B8	Brass Bowl
28	7074-L	Brass Drain Plate
29	7077	Brass Guard Arm
30	766-B	Brass Locknut
31	944-N	Washer
32	PF-776-D	Brass Jet Shank
33	PF-6946-F	Brass Bubbler Guard
34	1043-FN	Nylon Washer
35	PF-768-D	Brass Cap
36	PF-128-52	Brass Screw

