

# Central Brass®

The Easy Choice

MANUFACTURING COMPANY

2950 East 55<sup>th</sup> St. Cleveland, Ohio 44127

Phone: (216) 883-0220 Fax: (216) 883-0875

www.CentralBrass.com

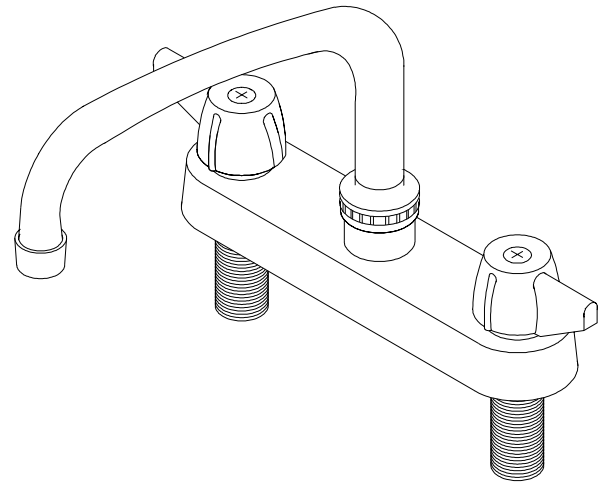
**MODEL NO. 0125-A  
KITCHEN TOPMOUNT**

The 6-inch center topmounted kitchen faucet has a cast brass body that is copper, nickel and chrome plated. The compression stems are all brass with a double O-Ring seal and rubber seat washer. The canopy handles are zinc die cast with a chrome plated finish. The 8-inch swivel spout is brass with a chrome plated finish and is fitted with a water saving aerator that limits the flow rate. The O-Rings and seals are rubber.

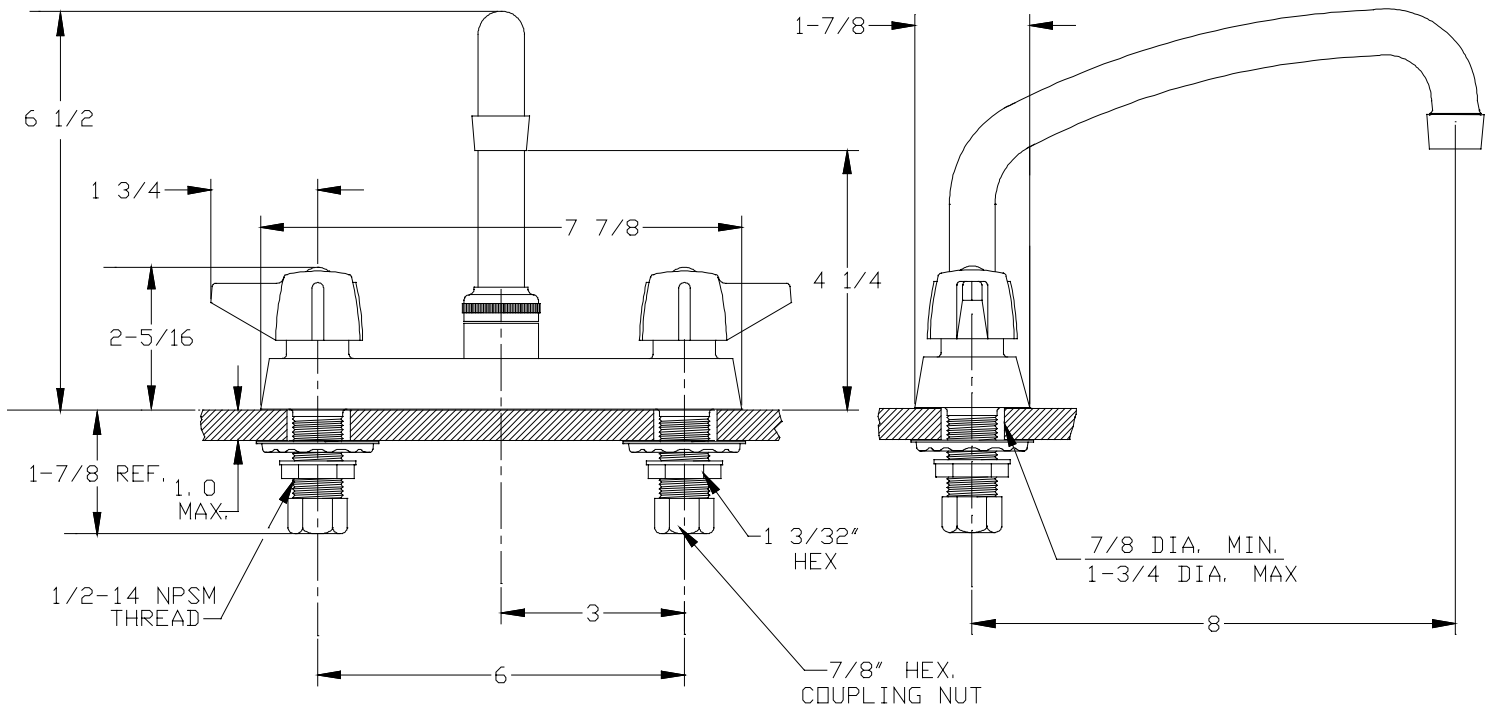
Flow Rate: 2.2 GPM @ 60 psi

ADA Compliant and Meets ASME A112.18.1M

ANSI/NSF 61/Section 9 Certified



## Installation Drawing



# Central Brass®

The Easy Choice

MANUFACTURING COMPANY

2950 East 55<sup>th</sup> St. Cleveland, Ohio 44127

Phone: (216) 883-0220 Fax: (216) 883-0875

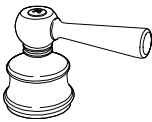
www.CentralBrass.com

**MODEL NO. 0125-A  
KITCHEN TOPMOUNT**

Suffix Options  
& Accessories

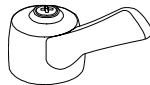
## Handle variations available

Villager Lever



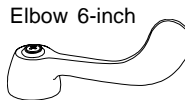
K-512-02 (chrome)  
K-512-15 (white)

Brass Lever



G-1143-C (cold)  
G-1143-H (hot)

Wrist 4-inch



G-4147 (4-inch)  
G-4149 (6-inch)

Elbow 6-inch

Acrylic



G-506-1C (cold)  
G-506-1H (hot)

Silver Crown  
Acrylic



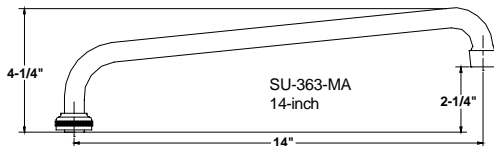
G-504-1C (cold)  
G-504-1H (hot)



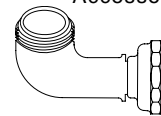
Faucets with lever, wrist or elbow handles with compression or ceramic stem cartridges are ADA compliant.

## Spout variations available

- A2 - Suffix  
10-inch Brass Tube Spout
- A3 - Suffix  
12-inch Brass Tube Spout
- A4 - Suffix  
14-inch Brass Tube Spout




Wall Mount  
Spout Adaptor  
Accessory



G-1748-88W

Cast Brass  
Spout Extension  
Accessory



 Drinking water products tested and certified by NSF International to ANSI/NSF Standard 61, Section 9. Each product required to meet the standard proudly exhibits the NSF logo.

# Central Brass®

The Easy Choice

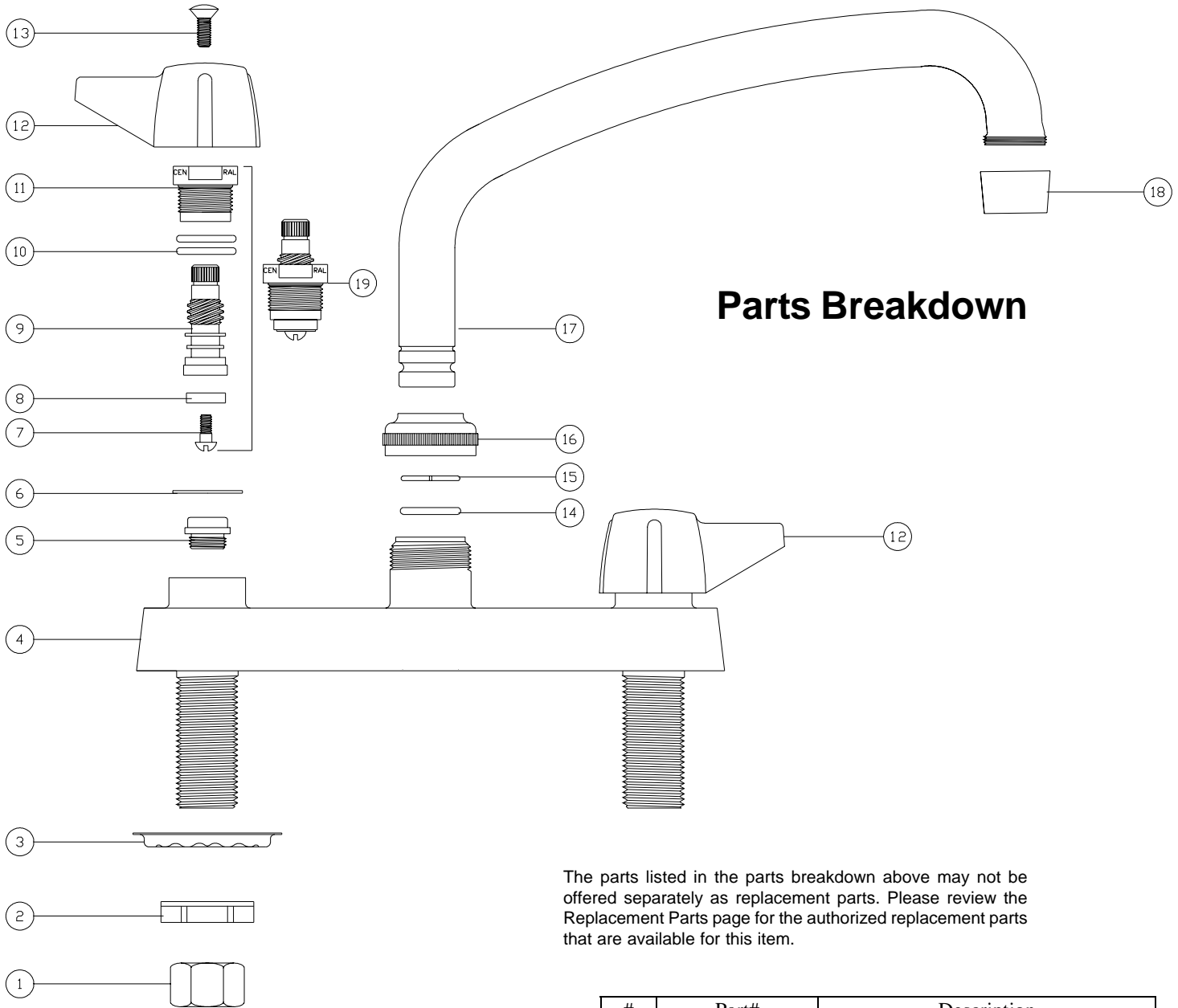
MANUFACTURING COMPANY

2950 East 55<sup>th</sup> St. Cleveland, Ohio 44127

Phone: (216) 883-0220 Fax: (216) 883-0875

www.CentralBrass.com

**MODEL NO. 0125-A**  
**KITCHEN TOPMOUNT**



## Parts Breakdown

The parts listed in the parts breakdown above may not be offered separately as replacement parts. Please review the Replacement Parts page for the authorized replacement parts that are available for this item.

#	Part#	Description
1	4015-BAR	Brass Coupling Nut
2	7133-AZ	Zinc Dichromate Locknut
3	54	Steel Crowfoot Washer
4	2158	Brass Faucet Body
5	263-BC	Bronze Seat
6	1028-Y	Nylon Gasket
7	104	Brass Seat Washer Screw
8	901-WN	Seat Washer
9	453-FL	Brass Left Thread O-Ring Stem
9	453-FR	Brass Right Thread O-Ring Stem
10	1038-453	O-Ring

#	Part#	Description
11	453-EWC	Brass Left Thread O-Ring Bonnet
11	453-EWH	Brass Right Thread O-Ring Bonnet
12	523-C	Handle Indexed "C"
12	523-H	Handle Indexed "H"
13	107-F	Brass Phillips Head Screw
14	1038-KN	O-Ring
15	166-FN	Stainless Steel Snap Ring
16	PF-782-DES	Brass Spout Nut
17	PF-363-RA	Brass Swivel Spout
18	30-M	Female Aerator
19	SU-453-EL	Left Thread O-Ring Stem Assembly
19	SU-453-ER	Right Thread O-Ring Stem Assembly