

Specification Data

Panasonic Ventilation Fan

Panasonic

WhisperGreen™
VENTILATION FAN



FV-08VKM1 (80 CFM)

Description

Ventilating fan shall be Low Noise ceiling mount type rated for continuous run. Fan shall be ENERGY STAR rated and certified by the Home Ventilating Institute (HVI). Evaluated by Underwriters Laboratories and conform to both UL and cUL safety standards.

Motor/Blower:

- Totally molded DC brushless motor technology, currently more energy efficient than the minimum ENERGY STAR requirements, rated for continuous run.
- Power Rating shall be 120 volts and 60 Hz.
- Fan shall be UL listed for tub/shower enclosure when used with a GFCI branch circuit wiring.
- Motor equipped with electronic safety control.
- Removable with permanently lubricated plug-in motor.

Housing:

- Rust proof paint, galvanized steel body.
- Detachable 4" diameter duct adapter.
- Built in backdraft damper.
- Expandable extension bracket up to 24".
- Double hangar bar system allowing for ideal positioning.

Grille:

- Attractive design using PP material.
- Attaches directly to housing with torsion springs.

Warranty:

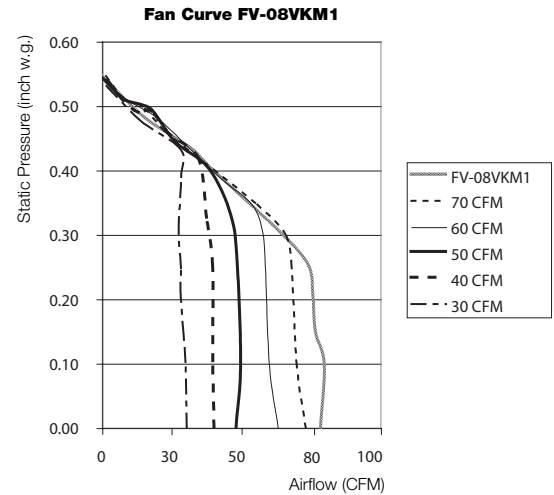
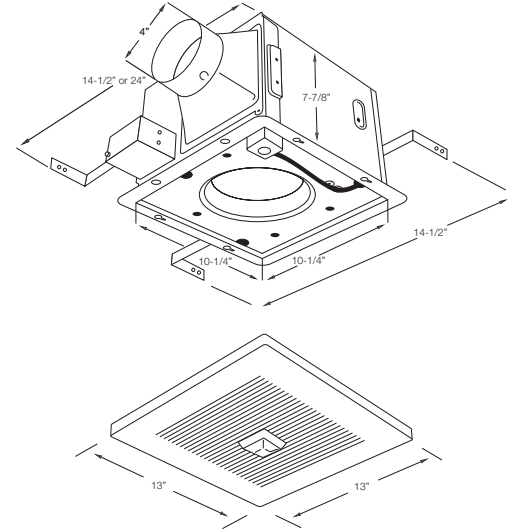
- The factory warranty shall be a minimum of 3 years limited warranty on parts.

Typical Specifications:

Ventilating fan shall be of the ceiling mount, ENERGY STAR rated type, with no less than 80 CFM and no more than 0.3 sone as certified by the Home Ventilating Institute (HVI) at 0.1 static pressure in inches water gauge. Power consumption shall be no greater than 11.3 watts and ENERGY STAR rated with efficiency rating of no less than 7.1 CFM/watt. The motor shall be totally molded with brushless DC motor engineered to run continuously. Power rating shall be 120v/60Hz. Duct diameter shall be no less than 4". Fan shall be UL and cUL listed for tub/shower enclosure when used with GFCI branch circuit wiring.

DC Motor Technology:

- Allows the fan to run continuously at a pre-set lower level (30 – 110 CFM). The fan then elevates to a maximum level of operation (110 CFMs) when the switch is turned on.
- When fan faces static pressure, its speed is automatically increased to ensure that the desired CFM is not compromised, which allows the fan to perform as rated.
- It automatically activates whenever someone enters or leaves the room, so there's rarely a need to manually turn the fan on or off.



WhisperGreen Premier	FV-08VKM1											
Static Pressure in inches w.g.	0.1	0.25	0.1	0.25	0.1	0.25	0.1	0.25	0.1	0.25	0.1	0.25
Air Volume (CFM)	80	74	70	68	60	59	50	49	40	40	30	28
Noise (sones)	0.3	N/A	<0.3	N/A	<0.3	N/A	<0.3	N/A	<0.3	N/A	<0.3	N/A
Power Consumption (watts)	11.3	17.3	8.9	15.5	7.6	13.2	6.6	11.2	5.2	9.3	4.7	7.8
Energy Efficiency (CFM/Watt)	7.1	4.3	7.9	4.4	7.9	4.5	7.6	4.4	7.7	4.3	6.4	3.6
Speed (RPM)	723	957	698	955	685	924	665	913	632	897	615	882
Current (amps)	0.08	0.13	0.07	0.12	0.06	0.10	0.05	0.09	0.04	0.07	0.03	0.06
Power Rating (V/Hz)	120/60											

For Complete Installation Instructions Visit www.panasonic.com/building



Model	Quantity	Comments	Project:
			Location:
			Architect:
			Engineer:
			Contractor:
			Submitted by:
			Date: