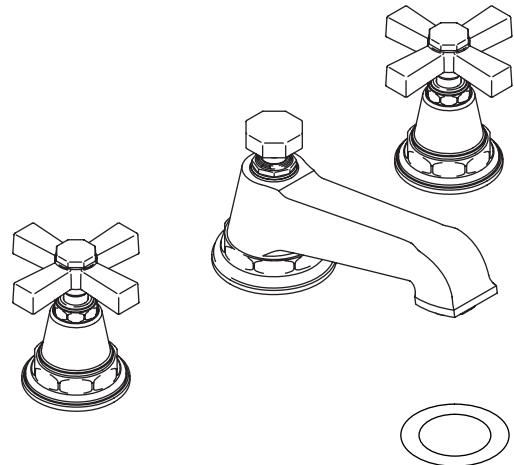


Features

- Metal construction
- Brass valve bodies
- Reversible quarter-turn washerless ceramic disc valves
- Pop-up drain with lift rod and tailpiece
- Flexible connections for easy installation
- Cross or lever handles
- 2.2 gpm (8.3 lpm) flow rate
- Lower flow aerator options are available (refer to the Kohler Price Book)
- 5" (12.7 cm) spout

**WIDESPREAD LAVATORY FAUCET
K-13132**

ADA







Codes/Standards Applicable

- Specified model meets or exceeds the following:
- ASME A112.18.1/CSA B125.1
 - IAPMO/UPC
 - NSF 61
 - Energy Policy Act of 1992 (EPACT)
 - ADA

Colors/Finishes

- CP: Polished Chrome
- Other: Refer to Price Book for additional colors/finishes

Specified Model

Model	Description	 ADA	 ADA	 ADA	 ADA
K-13132-3A	Lavatory faucet with plain cross handles	<input type="checkbox"/> CP <input type="checkbox"/> Other			
K-13132-3B	Lavatory faucet with grooved cross handles	<input type="checkbox"/> CP <input type="checkbox"/> Other			
K-13132-4A	Lavatory faucet with plain lever handles			<input type="checkbox"/> CP <input type="checkbox"/> Other	
K-13132-4B	Lavatory faucet with grooved lever handles			<input type="checkbox"/> CP <input type="checkbox"/> Other	

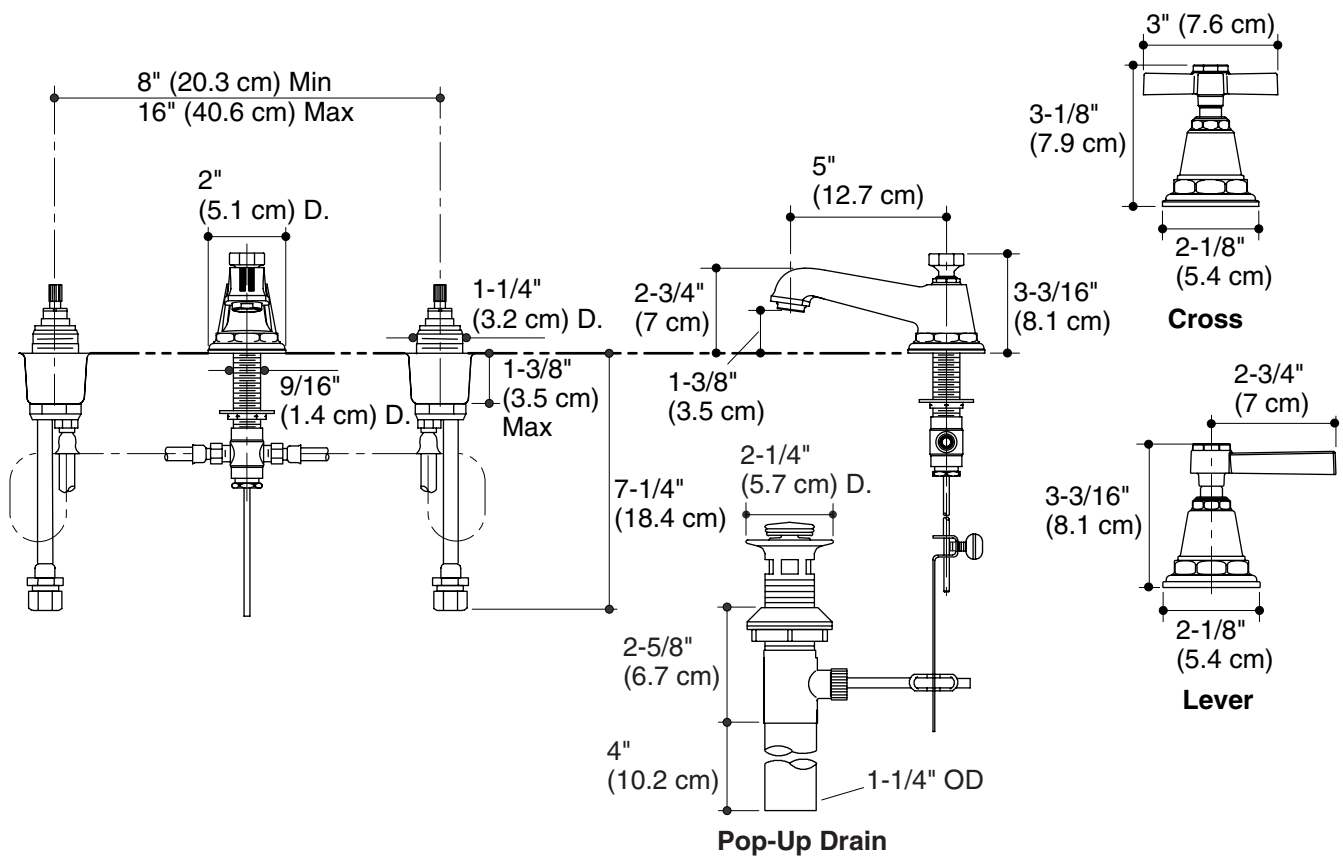
Product Specification

Two-handle widespread lavatory faucet shall be of metal construction. Faucet shall feature brass valve bodies. Faucet shall feature reversible quarter-turn washerless ceramic disc valves, assuring positive handle stop positioning. Faucet shall be rated at 2.2 gallons (8.3 L) per minute. Faucet shall have lower flow aerator options. Faucet shall include flexible connections, 5" (12.7 cm) spout, pop-up drain with lift rod and tailpiece, and cross or lever handles. Faucet shall be Kohler Model K-13132-_____-_____.

PINSTRIPE™

Installation Notes

Install this product according to the installation guide.



Product Diagram

PINSTRIPE™ WIDESPREAD LAVATORY FAUCET

Page 2 of 2
1033980-4-C

THE BOLD LOOK
OF **KOHLER**®