

American Standard

AMARILIS

TWO-HANDLE WIDESPREAD LAVATORY FAUCET WITH IRIS SPOUT

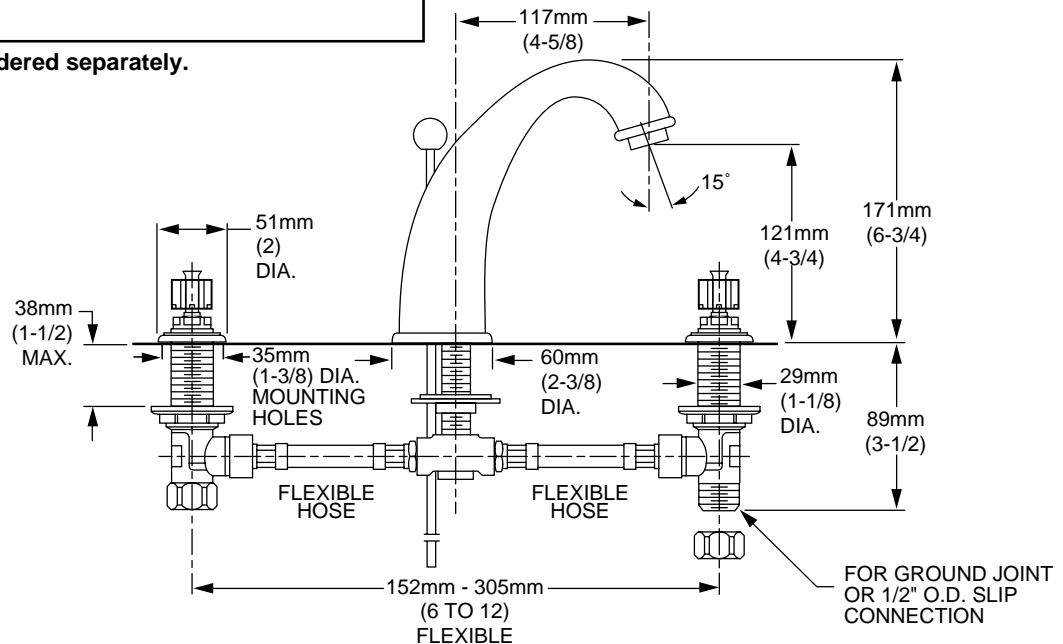


Handles must be ordered separately.

MODEL NUMBER:

- ☐ 3841.000 Widespread Lavatory
Pop-up drain. Less handles.

Handles must be ordered separately.



GENERAL DESCRIPTION:

Cast brass valve bodies with reinforced flexible hose connections for 6" to 12" (152mm to 305mm) installations. Amaris 1/4 turn washerless ceramic disc valve cartridges that are reversible for use with either lever or cross handles. Cast brass spout. One-half inch male inlets with brass coupling nuts. Brass mounting nuts. All brass drain body with 1-1/4" (32mm) tailpiece. 2.2 gpm/8.3L/min. maximum flow rate.

PRODUCT FEATURES:

Brass Construction: Durable. Ideal for prolonged contact with water. Provides the finest surface for application of all finishes.

Ceramic Disc Valve Cartridges: Assures a lifetime of drip-free performance.

Low Lead: Meets NSF Standard 61/Section 9 & Prop 65 lead requirements.

Flex Set Packaging: Full range of interchangeable handle styles.

Choice of Finishes: Wide range of durable finishes.

SUGGESTED SPECIFICATION:

Two handle widespread lavatory faucet shall feature cast brass valve bodies with reinforced flexible hose connections for 6" to 12" installations. Shall feature all brass mounting nuts and coupling nuts. Shall also feature 1/4 turn washerless ceramic disc valve cartridges that are reversible for use with cross or lever handles. Fitting shall be American Standard Model # 3841.000.____ and handle kit # 0000.____.

American Standard

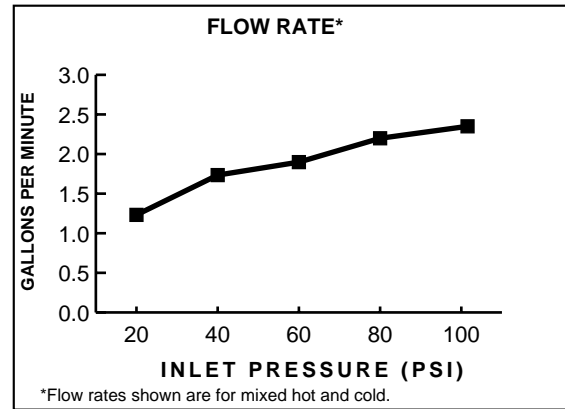
AMARILIS

TWO-HANDLE WIDESPREAD LAVATORY FAUCET WITH IRIS SPOUT

CODES AND STANDARDS

These products meet or exceed the following codes and standards:

ASME A112.18.1M
CSA B 125
NSF 61/Section 9



| Product Number | Description | Finish Options | | | | | | | | |
|----------------|--|-----------------|-----------------|-------------------------|----------------------|--------------------|-----------------------|-----------|----------------------|-------------------------|
| | | Polished Chrome | Polished Nickel | PVD B Nickel /Brass Mix | PVD Blackened Bronze | PVD Polished Brass | PVD Satin /Chrome Mix | PVD Satin | PVD Satin /Brass Mix | P Chrome /PVD Brass Mix |
| | | 002 | 008 | 062 | 068 | 099 | 221 | 295 | 297 | 299 |
| 3841.000 | Lavatory faucet. Pop-up drain. Less handles. | | | | | | | | | |

Handles must be ordered separately.

To order **Less Handles** - Specify: 4 digit Style number followed by three zeros and 3 digit finish number.
Example 3841.000.002 = Lavatory faucet with pop-up drain in Polished Chrome finish.

The above fittings will accept the following Amarilis-Series handles.*

| | | | | | | | | | | | | | | | |
|-----|-----|-----|-----|-----|-----|-----|--------------|--------------|--------------|--------------|------|------------|-----|-----|-----|
| | | | | | | | | | | | | | | | |
| 452 | 442 | 462 | 432 | 552 | 542 | 572 | 372H 372V | 352H 352V | 342H 342V | 102H 102V | 112H | 902 912 | 862 | 872 | 892 |
| | | | | | | | | | | | | | | | |

* See Section N for additional information on handle kits.

Meets the American Disabilities Act Guidelines and **ANSI A117.1** Requirements for the physically challenged.