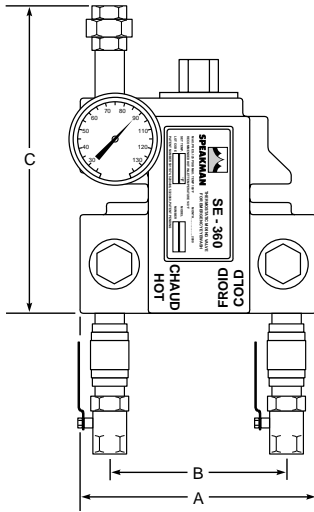


ENG. NO. 85808-C
 PAT. NO. 5,011,074.
 PAT. NO. 5,203,496.
 PAT. NO. 5,323,960.
 PAT. NO. 5,647,531.

Thermostatic Mixing Valve Model SE-360 Emergency Shower Eyewash Unit No. SE-360

Inlets & Outlet are 1 1/4" NPT



The Emergency Eyewash Mixing Valve shall control outlet temperature over a wide range of flow and shall be suitable for single or multiple eyewash applications. The valve shall include a thermometer to measure the temperature of the stream. Temperature adjustment shall be vandal resistant.

The control mechanism shall employ a liquid filled thermostatic motor to drive the valve without additional power requirements. The control mechanism shall employ a stainless steel sliding piston control device with reverse seat closure and both fixed and variable cold water bypass.

In the event of interruption of the cold water supply, the control mechanism closes off the hot water port, stopping all flow.

In the event of interruption of the hot water supply, the control mechanism shall allow cold flow through both the fixed and variable bypass.

In the event that the liquid motor fails, the control mechanism closes off the hot water port with the reverse seat and fully opens the internal variable bypass to allow cold water flow.

- Maximum Inlet Pressure:** 125 PSI.
- Minimum Supply Pressure:** 35 PSI.
- Recommended Operating Pressure:** 65 PSI.
- Maximum Inlet Temperature:** 180°F.
- Recommended Inlet Temperature:** 120°F-140°F.

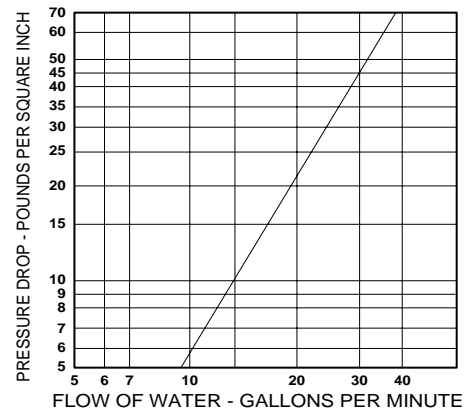
VALVE FINISH
 Rough Bronze Chrome Plate

TEMP. RANGE **SET POINT**
 70° to 90°F 85°F

DIMENSIONS:

Valve Number	A	B	C
SE-360	7"	5"	9"

CAPACITY OF THE THERMOSTATIC MIXING VALVE FOR COMBINATION EMERGENCY SHOWER AND EYE/FACE UNIT



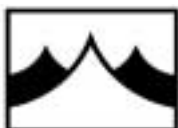
CAPACITIES - MODEL SE-360

Pressure Drop PSI	5	10	20	30	45
Tempered Flow	9	13	17	25	27
Cold Water Bypass	7	10	14	21	22

Lock set Mounting Bracket

Lock set includes lock for each ball valve.

Note: The mixing valve must be installed with inlet check valves and the Eyewash/Facewash fixture should be installed 4 to 10 feet from the mixing valve.



SPEAKMAN COMPANY

The Difference Is The Experience
 P.O. Box 191, Wilmington, DE 19899-0191
 Phone: 800-537-2107 Fax: 800-977-2747

Specification subject to change without notice.