

# SPEAKMAN SAFETY PRODUCTS

## SEF-1800 EYESAVER® FAUCET SPECIFICATIONS

### DESCRIPTION

The SEF-1800 Eyesaver® faucet combines a gooseneck faucet with an independently operated eyewash. The faucet features ¼ turn Speakman Ceramic Perfect® Valves while the eyewash offers twin aerated sprays and flip top dust covers.



### SPECIFICATIONS

**OPERATION:** Eyewash and faucet operate independently of each other

**SUPPLY:** ½” male connections for hot and cold inlets

**WIDESPREAD VALVES:** Perfect® valves with 1/4 turn ceramic cartridges covered by a 25 year warranty

**FINISH:** Chrome plated brass

**FAUCET HANDLES:** Vandal-resistant 4” wrist handles with color- coded indexes

**EYEWASH ACTIVATION:** Pull handle with graphics

**EYEWASH SPRAYS:** Aerated sprays.

**FAUCET FLOW RATE:** Autoflo® device controls flow to 2.2 GPM/ 8.3 LPM

**EYEWASH FLOW RATE:** 2.4 GPM at 30 psi. flowing. See flow data chart on back.

**COUNTER THICKNESS:** Up to 2” thick

**CENTER DISTANCE:** Adjustable centers of 6” to 12”

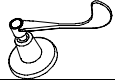

**PRESSURE:** 30 psi. minimum flow pressure, 125 psi. maximum static pressure

**APPROVALS:** Meets ASME A112.18.1, ANSI Z358.1 and CSA B125-98

**SHIPPING WEIGHT:** 10 LBS

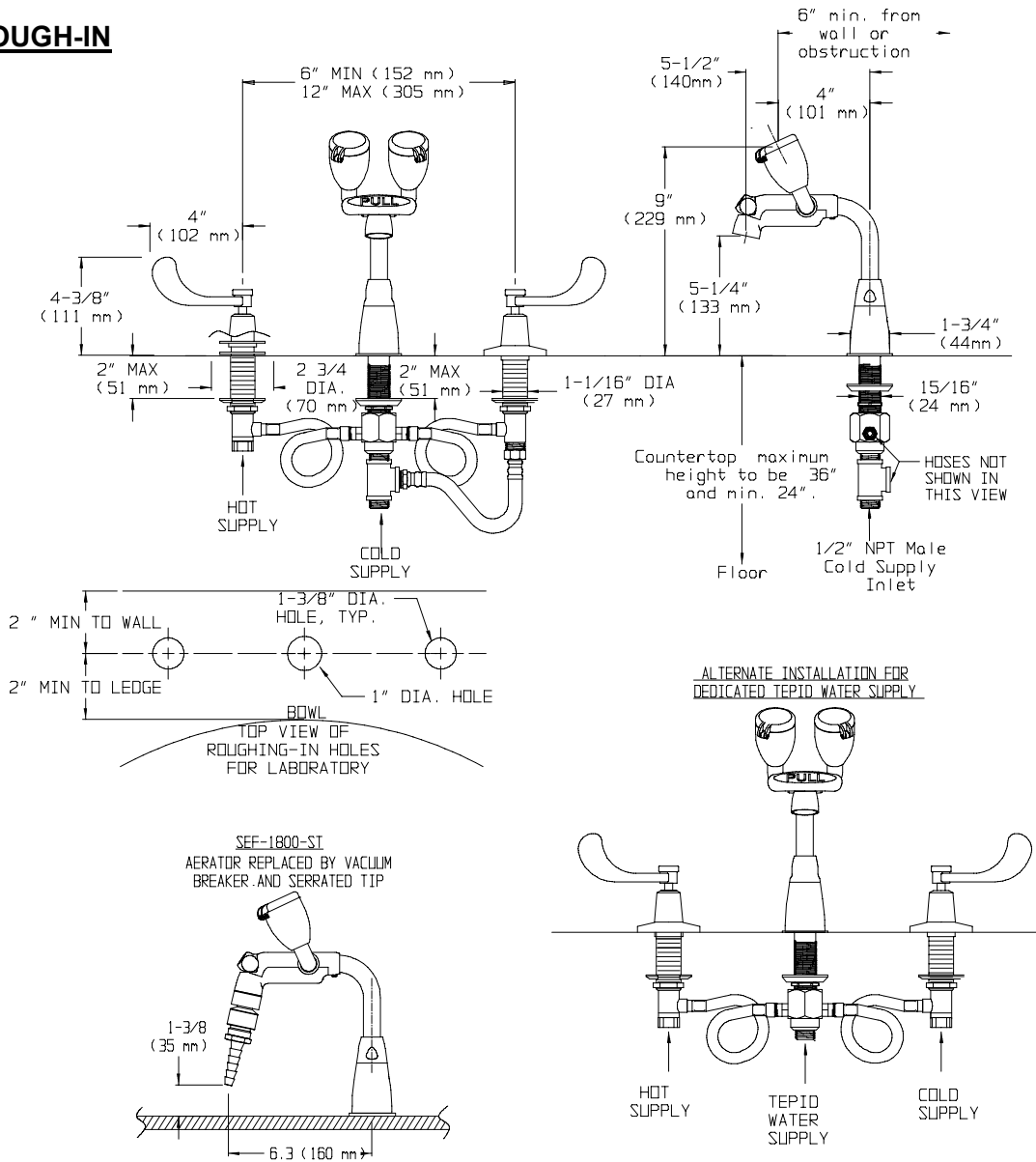
**VACUUM BREAKER (ST option):** Approved by ASSE, UPC and CSA. Meets the ANSI/ASSE 1035 standard for “Laboratory Faucet Vacuum Breakers”, CSA B64.8 and UPC.

### OPTIONS

◇ BOCA – Vandal-Resistant 0.5 gpm Flow Control	◇ 6WH – 6” Wrist Handles 
◇ D75 – Diamond 75 Escutcheons 	◇ LF – Laminar Flow Outlet 2.2gpm
◇ ST – Serrated Tip with Vacuum Breaker	



**SEF-1800 ROUGH-IN**

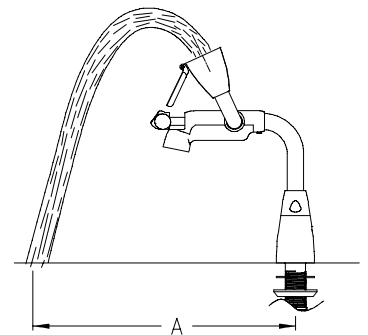


Notes: All dimensions are in inches (millimeters) unless otherwise specified and are subject to change.

**IMPORTANT:** The supply line for plumbed units shall provide an uninterrupted supply of flushing fluid at a minimum of 30 psi. of flow pressure. If shut off valves are installed in the supply line of the eyewash for maintenance purposes, provisions shall be made to prevent unauthorized shut off.

**FLOW DATA**

Flow Pressure- (BAR)	PSI	30 (2.07)	40 (2.76)	50 (3.45)	60 (4.14)	70 (4.83)	80 (5.52)
Eyewash Flow Rate-GPM (LPM)		2.43 (9.2)	2.75 (10.4)	2.8 (10.6)	3.01 (11.4)	3.22 (12.2)	3.5 (13.2)
Distance Eyewash Plumb, 'A' -	ins. (cm.)	10-1/2 (26.7)	12-1/2 (31.7)	14 (35.6)	14-1/2 (36.8)	16 (40.6)	17-1/2 (44.4)



**SPEAKMAN COMPANY**  
The Difference Is The Experience  
P.O. Box 191, Wilmington, DE 19899-0191  
Phone: 800-537-2107 Fax: 800-977-2747

5/02 rev.3  
92-2365