

# SPEAKMAN®

## SE-400 EYESAVER® EYE/FACE WASH

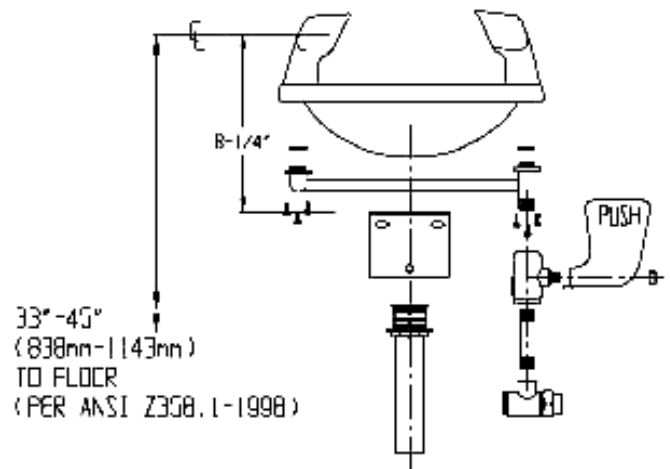
### DESCRIPTION

SE-400 Eyesaver® eye/face wash provides six aerated sprays for gentle yet thorough rinsing of the eyes and face and features a large rectangular stainless steel bowl, stay open ball valve and an in-line strainer.

### SPECIFICATIONS

BOWL: 300 Series Stainless Steel  
SPRAY HEADS: (6) Brass, Chrome-Plated Aerated.  
VALVE: 1/2" NPT Female Brass, Chrome-Plated.  
ACTIVATOR: Stainless Steel Push Handle.  
SHROUDS: Yellow Polypropylene.  
INLET: 1/2" NPT Female.  
STRAINER: Brass, Chrome-Plated, In-Line.  
PLATE: Cold-Rolled Steel, Painted Safety Green.

Universal Emergency Sign Included  
Compliance: Meets ANSI Z358.1-1998



### OPTIONS

- Hand Foot Operation (HFO)
- Freeze Protection Valve (FPV)
- Scald Protection Valve (SPV)
- Flow Switch (FLW)
- Hand Held Spray (HS)
- P-Trap (PT)
- Stainless Steel Ball Valve (SSBV)
- In Line Strainer (ILS)

Job Name \_\_\_\_\_  
Location \_\_\_\_\_  
Architect/Engineer \_\_\_\_\_  
Sales Representative \_\_\_\_\_  
Wholesaler \_\_\_\_\_  
Date \_\_\_\_\_ Model # \_\_\_\_\_