

SPEAKMAN COMPANY

SE-105 Installation, Maintenance & Operation Instructions **LIFESAVER® MULTIPLE SPRAY PLATFORM EMERGENCY SHOWER**

DESCRIPTION

Floor mounted platform deluge shower and eye wash decontamination station. Shower is supplied with self-closing valve activated by pull ring. Eye wash is supplied with self-closing valve activated by walk-on grate.

SPECIFICATIONS

SHOWER HEAD: 8" Dia. CYCOLAC® Yellow Plastic.
FLOW CONTROL: Internal 20 gpm Regulator.
VALVE: 1" NPT Female Brass, Chrome Plated.
ACTIVATOR: 8" Dia. Stainless Steel Ring.
PIPE: 1-1/4" IPS Galvanized Steel.
INLET: 1-1/2" NPT Female.
FINISH: Painted Safety Green.
EYE/FACE WASH: SE-505 (Reference additional SE-505 I,M,O sheet)
SHIPPING WEIGHT: 600 lb.
EMERGENCY SIGN: 12" x 7-7/8" Plastic Wall Sign.

OPTIONS

◇ AL2 (Electrical Alarm)	◇ STALL (Shower Stall)	◇ VPL (Vapor Proof Light)
◇ AL3 (Electrical Alarm)	◇ PC (Polished Chrome Shower Head)	◇ SGN6 (Combination Floor Sign)
◇ AL2-C1D2 (Electrical Alarm / Haz. Area)	◇ BH (Brass Shower Head)	◇ SPV (Anti-Scald Protection Valve)
◇ AL3-C1D2 (Electrical Alarm / Haz. Area)	◇ SSH (Stainless Steel Shower Head)	◇
◇ FLW (Flow Switch)	◇ FPV (Anti-Freeze Protection Valve)	◇

INSTALLATION

This unit is shipped completely assembled. Place unit in desired location, and secure to floor using suitable anchors. Connect a water supply to the unit (use thread sealant on all joints) that is a 1-1/2" minimum for shower uninterrupted source of potable water. Failure to use potable water can result in emergency units producing impure or contaminated water causing possible further injury. A drain or waste should be connected to an adequate drain in compliance with local plumbing codes.

OPERATION

The *eyewash* will automatically activated once the user steps on platform, and water will continue to flow until user steps off the platform.

The *shower* is activated by pulling downward on the stainless steel ring. Once the valve is activated, continuous pressure on the ring is required for a constant flow of water. shower will automatically shut off when ring is released.

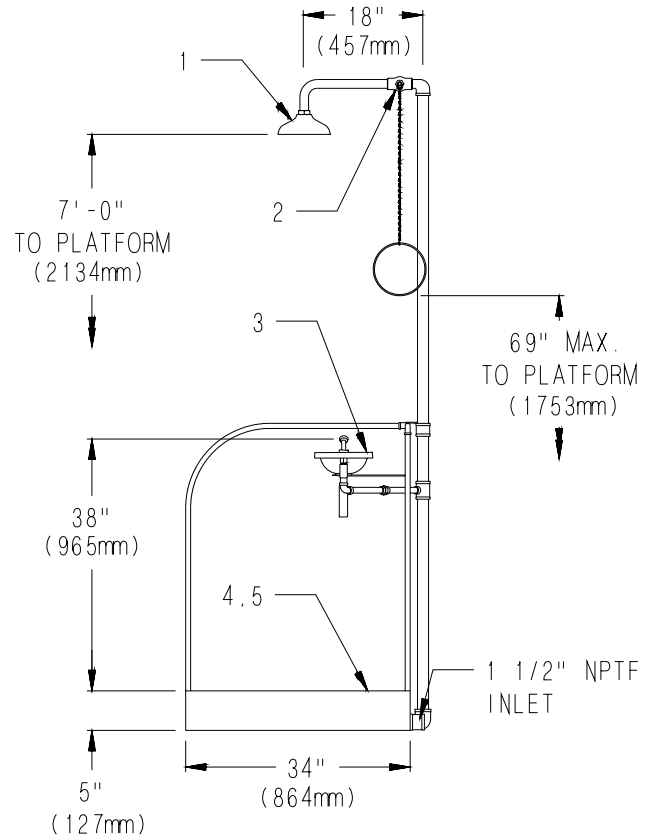
TESTING PROGRAM

The American National Standards Institute (ANSI) states that all safety emergency equipment shall be activated on a weekly basis to flush the line and verify proper operation. Speakman Company furnishes a testing record tag (91-0635) with each unit. On this tag the date of inspection and the inspectors initials should be noted.

MAINTENANCE

Should you need parts to repair this unit, please reference the parts listing below for correct part numbers. Reference additional technical sheets (supplied) for information on the SE-870 shower head, SE-901 valve and SE-505 eye wash. Before any maintenance is done **be sure to shut the water supply off.**

WARNING: Use only genuine Speakman parts when repairing or replacing components. To order parts call 1-800-537-2107.



SE-105 REPLACEMENT/REPAIR PARTS

<u>ITEM</u>	<u>PART/GROUP #</u>	<u>DESCRIPTION</u>
1	SE-870	8" Plastic Shower Head
2	SE-901-CR	Self-Closing Valve
3	SE-505	Eye Wash
4	20-0663-MO	1 1/2" Valve w/Lever Assy.
5	37-0046-MO	Coil Spring (2)

FLOW DATA

SHOWER:

FLOW PRESSURE PSI (BAR)	30 (2.07)	60 (4.14)
FLOW RATE GPM (LPM)	20 (75)	25 (94)

EYEWASH:

FLOW PRESSURE PSI (BAR)	30 (2.07)
FLOW RATE GPM (LPM)	3 (11)

NOTE: This unit should be connected to an uninterrupted source of potable water, with a minimum flowing pressure of 30 PSI and a maximum static pressure of 80 PSI.

Note: All units meet existing ANSI Z358.1 2004 Standards and OSHA Rules. Product improvements may cause specification and dimensional changes without notice.

SPEAKMAN®
 PO Box 191 Wilmington, DE 19899 Phone: 800-537-2107 Fax: 800-977-2747
 Visit us on the web at www.speakmancompany.com