

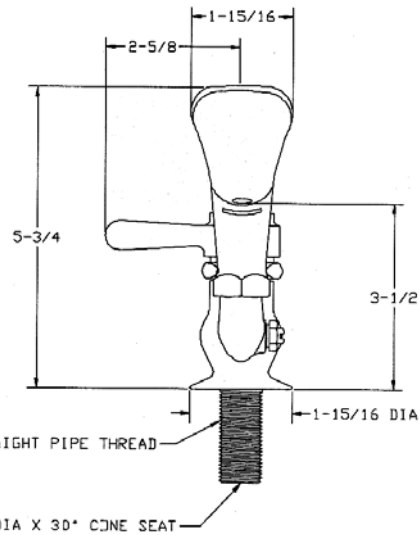
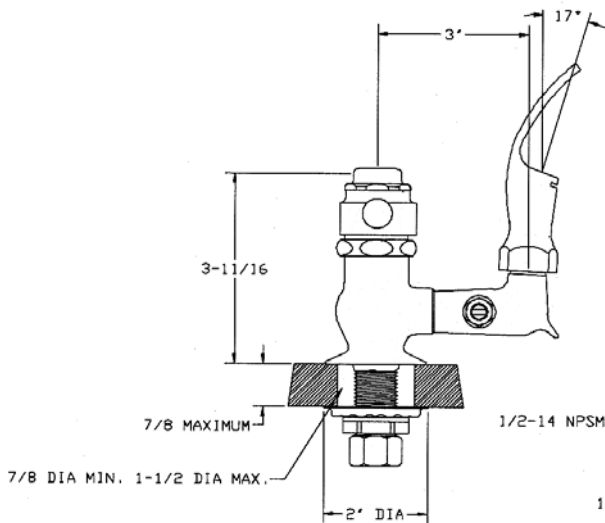
**S-4110**



## Drinking Faucet

□ **S-4110**

Chrome plated self closing drinking faucet. Lever operated solid brass valve. Adjustable restrictor limits the flow through the faucet. Meets, ADA, ASME A112.18.1M and ANSI/NSF 61/Section 9 Certified.



This space for Architect/Engineer approval.

---

© Copyright, Speakman Company, 2005

NOTE: INLETS ARE SIZED FOR EITHER COUPLING OR SWEAT CONNECTIONS. ALL DIMENSIONS ARE IN INCHES AND ARE SUBJECT TO CHANGE WITHOUT NOTICE.



**Speakman Company**

P.O. Box 191, Wilmington, DE 19899-0191 USA

1-800-537-2107

Fax: 1-800-977-2747

www.speakmancompany.com

