

## SPECIFICATIONS

## NO-FLUSH™ URINALS

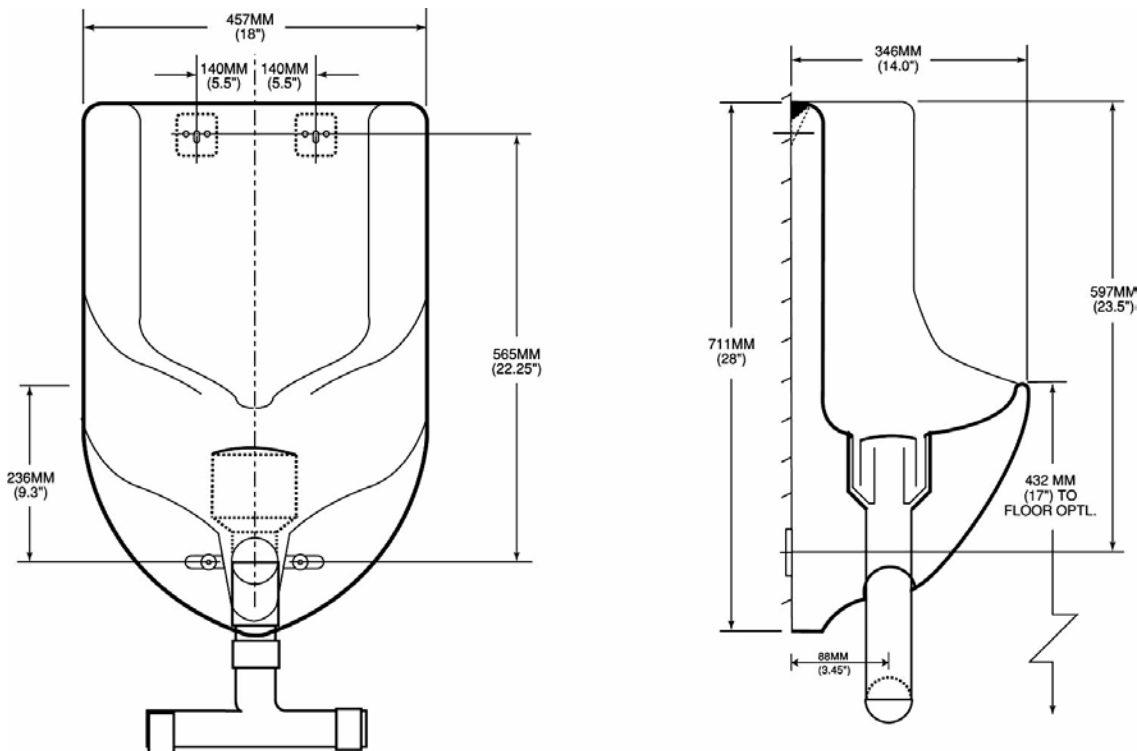
SONORA™

Model #: 2004B ~ Bottom Drain Unit



ADA COMPLIANT

DIMENSIONS: 18"W X 28" H x 14"D



### General

Urinal to be *Waterless Co. No-Flush™* urinal *Sonora™*, Model #2004B, elongated rim. Wall hung urinal, with replaceable *EcoTrap®* plastic trap insert having a circular outer rim opening for flow. Trap to be inserted by press fit. Trap insert removable only by special two pronged tool. Complies with ADA, ANSI Z124.9, ASME A112.9.2, CSA®, ICC ES. Supplied vertical *EcoTrap®* insert required. Mount at 17" above finished floor to lip of urinal or as required by architect, ADAAG. Center drain line to be at 7.7" off finished floor. No carrier needed. Install and maintain as per manufacturer's instructions. Urinal 2" drain outlet installs and drains to 2" flanged waste. Retrofit or new construction. Color: Sanitary white. To be made of *Fiberglass Reinforced Polyester®*. Approx. Weight: 20 Lbs. Use standard sanitation practices to maintain fixture. Adequate *BlueSeal®* trap liquid to be maintained in *EcoTrap®* of urinal. Urinal does not include needed ABS parts below reducer piece.

### Furnished complete with:

Two unit integrated wall hangers, *AllFlange™* slots for flange bolts, fastening hardware, gasket and two *EcoTraps®*, vertical trap design.

In keeping with our policy of product improvement, *Waterless Co.* reserves the right to change product specifications at any time without notice.

© Waterless Co. 2004

**Waterless Co.** LLC ~ 1050 Joshua Way ~ Vista, CA 92081

TOLL FREE: 1-888-NOFLUSH (663-5874)

[www.waterless.com](http://www.waterless.com)