

TECHNICAL DATA



Franklin Brass MFG. CO.
A MASCO COMPANY
 P.O. Box 4887
 Carson, CA 90749-4887
 (310) 885-3200 • (800) 421-3375
 FAX-(310)885-3277
 www.franklinbrass.com

9040AB, 9045AB, 9050AB, 9040B, 9045B, 9050B
 9040PB, 9045PB, 9050PB, 9040PBC, 9045PBPC
 9050PBPC, 9040PC, 9045PC, 9050PC, 9040SC
 9045SC, 9050SC, 9040SN, 9045SN, 9050SN
 9040W, 9045W, 9050W, 9040WPB, 9045WPB
 9050WPB, 9040WPC, 9045WPC, 9050WPC

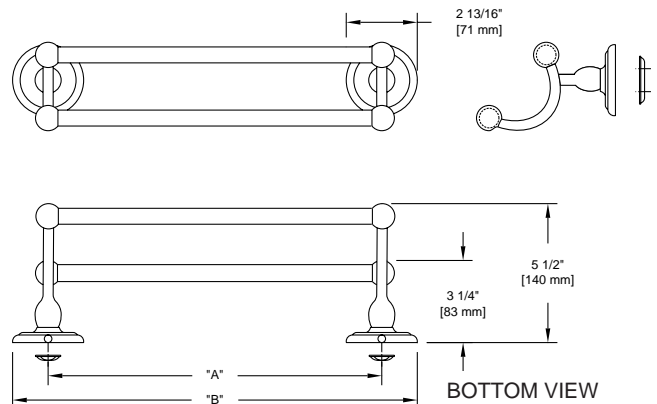
DOUBLE TOWEL BAR SET

Specify Model Required

- | | |
|---|---|
| <ul style="list-style-type: none"> <input type="checkbox"/> Model 9040AB - 18" antique brass <input type="checkbox"/> Model 9045AB - 24" antique brass <input type="checkbox"/> Model 9050AB - 30" antique brass <input type="checkbox"/> Model 9040B - 18" black (aluminum bar) <input type="checkbox"/> Model 9045B - 24" black (aluminum bar) <input type="checkbox"/> Model 9050B - 30" black (aluminum bar) <input type="checkbox"/> Model 9040PB - 18" polished brass <input type="checkbox"/> Model 9045PB - 24" polished brass <input type="checkbox"/> Model 9050PB - 30" polished brass <input type="checkbox"/> Model 9040PBC - 18" polished brass/polished chrome <input type="checkbox"/> Model 9045PBC - 24" polished brass/polished chrome <input type="checkbox"/> Model 9050PBC - 30" polished brass/polished chrome <input type="checkbox"/> Model 9040SC - 18" satin chrome <input type="checkbox"/> Model 9045SC - 24" satin chrome <input type="checkbox"/> Model 9050SC - 30" satin chrome | <ul style="list-style-type: none"> <input type="checkbox"/> Model 9040SN - 18" satin nickel <input type="checkbox"/> Model 9045SN - 24" satin nickel <input type="checkbox"/> Model 9050SN - 30" satin nickel <input type="checkbox"/> Model 9040PC - 18" polished chrome <input type="checkbox"/> Model 9045PC - 24" polished chrome <input type="checkbox"/> Model 9050PC - 30" polished chrome <input type="checkbox"/> Model 9040WPB - 18" white/polished brass <input type="checkbox"/> Model 9045WPB - 24" white/polished brass <input type="checkbox"/> Model 9050WPB - 30" white/polished brass <input type="checkbox"/> Model 9040WPC - 18" white/polished chrome <input type="checkbox"/> Model 9045WPC - 24" white/polished chrome <input type="checkbox"/> Model 9050WPC - 30" white/polished chrome <input type="checkbox"/> Model 9040W - 18" white (aluminum bar) <input type="checkbox"/> Model 9045W - 24" white (aluminum bar) <input type="checkbox"/> Model 9050W - 30" white (aluminum bar) |
|---|---|



LENGTH	18" (457 mm)	24" (610 mm)	30" (762 mm)
DIM "A"	18 1/4" (464 mm)	24 1/4" (616 mm)	30 1/4" (768 mm)
DIM "B"	21 1/16" (535 mm)	27 1/16" (687 mm)	33 1/16" (840 mm)



MATERIALS:

Towel bar posts are die cast from highest quality virgin zinc alloy (Zamak) to meet ASTM standard B-86 Castings are highly polished and plated with chrome (PC), polished brass (PB), satin chrome (SC), satin nickel (SN), antique brass plated (AB), or coated with black (B) or white (W) polyester powder coat. Wall plates are 19 gauge zinc plated steel. Bar material/finish for B and W is 3/4" diameter x .025 (23 gauge) aluminum black polyester powder coat (B), or white polyester powder coat (W). Bar material/finish for PB, PC, and AB is 3/4" diameter x .020 (25 gauge) polished brass (PB), chrome plated brass (PC), or antique plated brass (AB). Bar material for SC and SN is 3/4" diameter x .015 (28 gauge) satin stainless steel.

INSTALLATION:

Mount wall plates at 18 1/4" C-C for 18" bar, 24 1/4" C-C for 24" bar and 30 1/4" C-C for 30" bar on wall surface in vertical position with 4- #8 x 1 1/4" roundhead zinc plated steel screws provided. Slip posts and bar over wall plates and tighten set screws until secure.

Wood blocking is preferable behind all wall surfaces. If wood blocking is not available, the following optional fasteners are suggested:

- Tile/Masonry - Plastic or lead anchors
- Plastic/Drywall - Toggle bolts

SPECIFICATION: Surface mounted double towel bar set shall be model _____ (fill in model number) by Franklin Brass Mfg. Co., Los Angeles, Ca.