

TECHNICAL DATA



Franklin Brass MFG. CO.
 A MASCO COMPANY
 P.O. Box 4887
 Carson, CA 90749-4887
 (310) 885-3200 • (800) 421-3375
 FAX-(310)885-3277
 www.franklinbrass.com

1974, 1976

DELUXE PAPER HOLDER

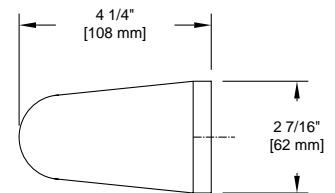
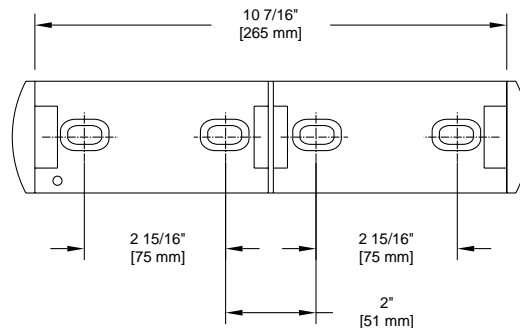
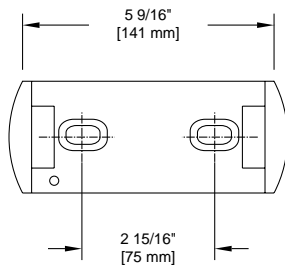
Specify Model Required

- Model 1974 - Single roll chrome plated
- Model 1976 - Double roll chrome plated

(1974)



(1976)



- MATERIALS:** Paper holder back plate and projecting arms are heavy duty die cast zinc (Zamak), highly polished and chrome plated. Fixed arm is secured to back plate with 2 machine screws and lock washers. Hinged arm is secured to back plate with a steel pin. Push button is of plastic. Spring catch is of 22 gauge galvanized steel.
- CAPACITY:** 1 (single unit) or 2 (double unit) standard core rolls up to 5" diameter. Push button releases spring catch allowing hinged projecting arm to swing back for loading paper. Push button is concealed by paper until used up for pilferage resistance.
- INSTALLATION:** 1974 - Mount paper holder to wall surface through 2 holes in back plate (2 15/16" C-C) with 2- #9 x 1 1/2" roundhead zinc plated steel screws provided.
- 1976 - Mount paper holder to wall surface through 4 holes in back plate (2 15/16" C-C each side set; 2" C-C between side sets; 7 7/8" C-C outside holes) with 4- #9 x 1 1/2" roundhead zinc plated steel screws provided. Wood blocking is preferable behind all wall surfaces. If wood blocking is not available, the following optional fasteners are suggested:
- Tile/Masonry - Plastic or Lead Anchors
 - Plaster/Drywall/Fiberglass - Toggle bolts
- SPECIFICATION:** Surface mounted deluxe paper holder shall be model _____ (fill in model number) by Franklin Brass Mfg. Co., Los Angeles, Ca.