

TECHNICAL DATA



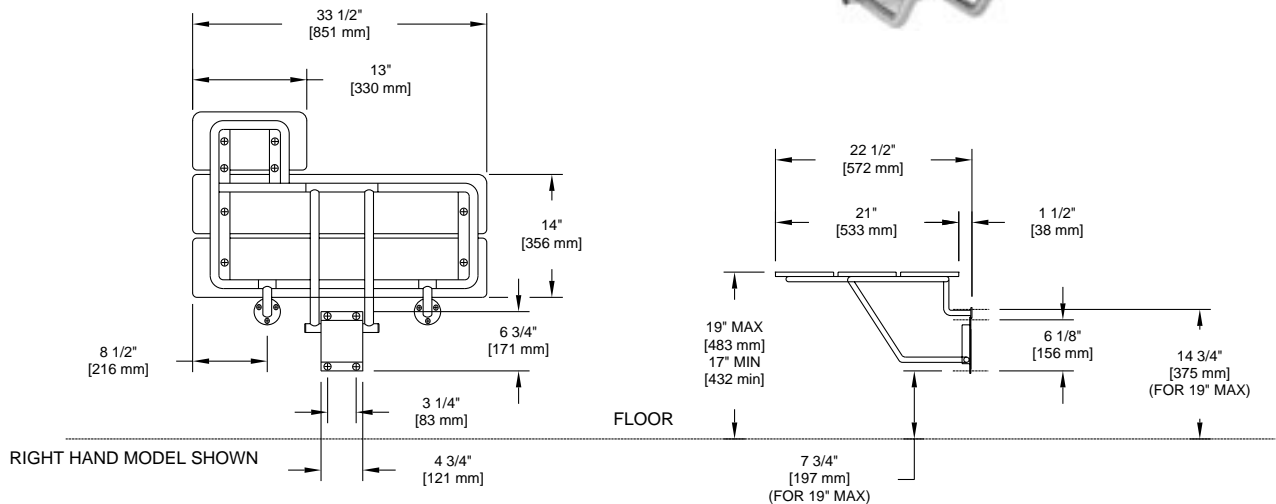
Franklin Brass MFG. CO.
 A MASCO COMPANY
 P.O. Box 4887
 Carson, CA 90749-4887
 (310) 885-3200 • (800) 421-3375
 FAX-(310)885-3277
 www.franklinbrass.com

5404LH, 5404RH

SHOWER SEAT WITH PHENOLIC SLATS

Specify Model Required

- Model 5404LH - Satin stainless steel/phenolic, left hand
- Model 5404RH - Satin stainless steel/phenolic, right hand



MATERIALS: Frame fabricated of 1" diameter 18 gauge type 304 satin stainless steel. Mounting flanges are 3" diameter 7 gauge type 304 satin stainless steel. Wall bracket is 14 gauge satin finish stainless steel. Seat fabricated of 1/2" thick solid woodgrain phenolic slats.

INSTALLATION: Unit to be secured to wall with two flanges (3 fasteners each) and with wall bracket (4 fasteners). For installation on stud wall, steel of fiberglass construction provide in wall backing at all fastener locations to comply with local building codes. For installation on solid walls, use expansion anchors and screws in compliance with local building codes. Fasteners not furnished by Franklin Brass.

SPECIFICATION: Surface mounted shower seat shall be model _____ (fill in model number) by Franklin Brass Mfg. Co., Los Angeles, Ca.