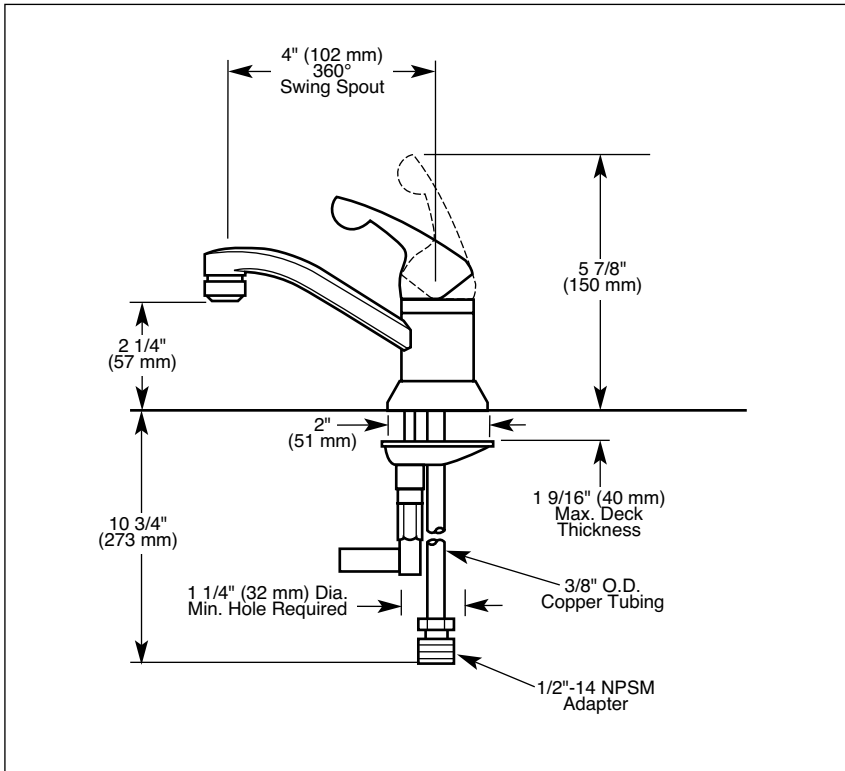


Submitted Model No.: \_\_\_\_\_

Specific Features: \_\_\_\_\_



# DELTA<sup>®</sup>

## LAVATORY FAUCETS

- Single Handle
- Deck Mount
- Single Hole Sink Applications



**LISTED**

UL Listed to US and Canadian Safety Standards and Classified in accordance with ANS/NSF 61-97b 21PL

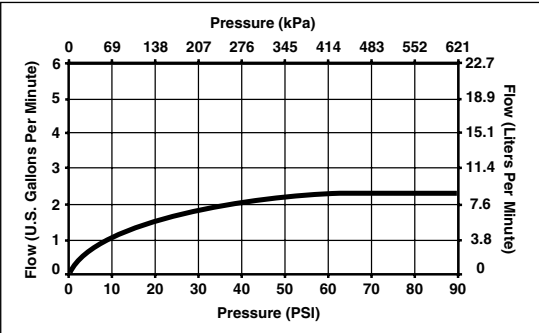


**COMPLIES WITH:**

- ASME A112.18.1M-1996
- CSA B125-1993
- Indicates ADA compliance to CABO/ANSI A117.1-1992
- IAPMO Listed
- CSA Certified

**STANDARD SPECIFICATIONS:**

- Single handle lavatory deck faucets for exposed mounting on single hole sinks.
- Solid brass fabricated body.
- 4" (102mm) spout swings 360°.
- Lever handle. Control mechanism shall be of the rotating stainless steel ball type with replaceable non-metallic seats operating in stainless steel lined sockets.
- Control handle shall return to neutral position when valve is turned off.
- Models have 3/8" O.D. copper supply tubes - 10 3/4" (273 mm) long.
- Models with suffix "WF" supplied with 1/2"-14 NPSM adapters.
- RP24 lift rod guide assembly and RP5651 metal pop-up drain assembly available separately. NOTE: Will now require a two-hole sink application.



Delta reserves the right (1) to make changes in specifications and materials, and (2) to change or discontinue models, both without notice or obligation. Dimensions are for reference only.

Standard Features	570	570-WF
Washerless	◆	◆
Single Hole Installation	◆	◆
4" (102 mm) Long Spout Swings 360°	◆	◆
Lever Handle	♿	♿
3/8" O.D. Copper Supply Tubes 10 3/4" (273 mm) long	◆	◆
1/2"-14 NPSM Adapters		◆
Chrome Finish	◆	◆
RP24 lift rod guide assembly and RP5651 metal pop-up drain assembly available separately. NOTE: Will now require a two-hole sink application.	◆	◆



Indianapolis, Indiana 46280  
 A Division of Masco Corporation of Indiana  
 © 2001 Masco Corporation of Indiana