

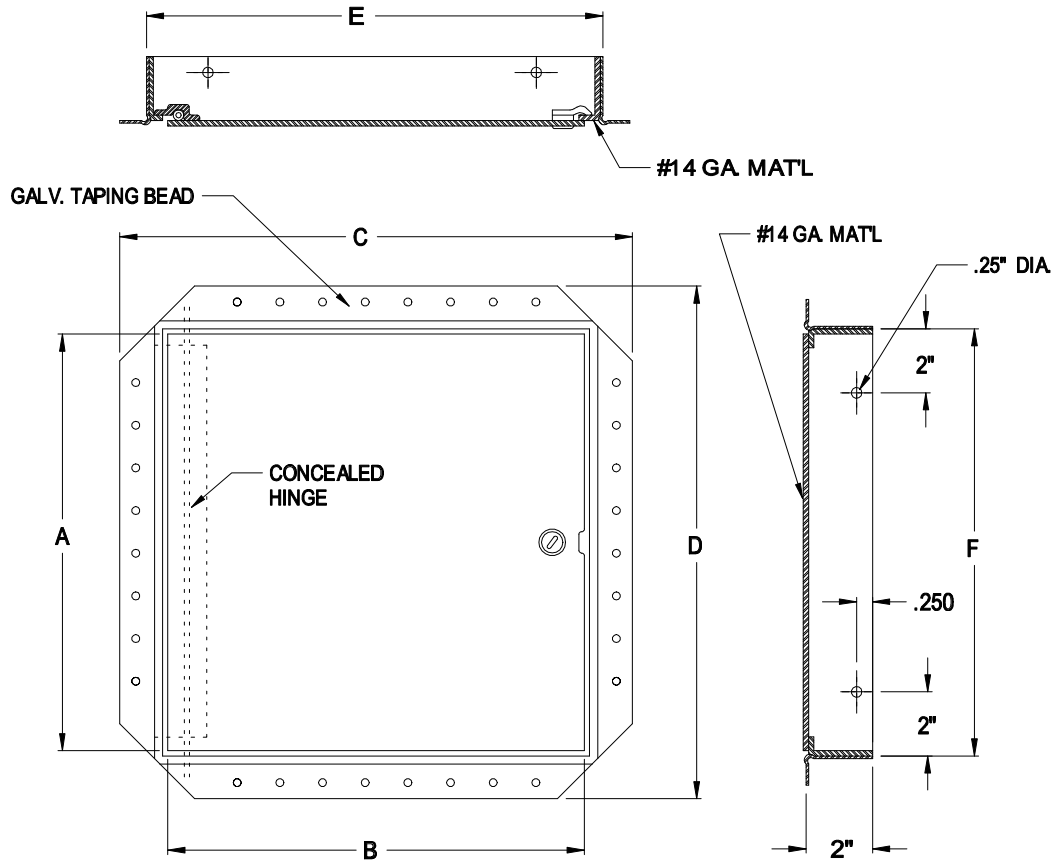


# ACUDOR ACCESS DOORS

# DW-5040

## FLUSH FOR DRYWALL

QTY.	NOMINAL SIZE	A	B	C	D	E	F	LOCK
	6 x 6 (152 x 152)	5.81 (148)	5.81 (148)	8.5 (216)	8.5 (216)	6 (152)	6 (152)	1
	8 x 8 (202 x 203)	7.81 (198)	7.81 (198)	10.5 (267)	10.5 (267)	8 (203)	8 (203)	1
	10 x 10 (254 x 254)	9.81 (249)	9.81 (249)	12.5 (318)	12.5 (318)	10 (254)	10 (254)	1
	12 x 12 (305 x 305)	11.81 (300)	11.81 (300)	14.5 (368)	14.5 (368)	12 (305)	12 (305)	1
	14 x 14 (355 x 355)	13.81 (351)	13.81 (351)	16.5 (419)	16.5 (419)	14 (356)	14 (356)	1
	16 x 16 (406 x 406)	15.81 (401)	15.81 (401)	18.5 (470)	18.5 (470)	16 (406)	16 (406)	2
	18 x 18 (457 x 457)	17.81 (452)	17.81 (452)	20.5 (521)	20.5 (521)	18 (457)	18 (457)	2
	22 x 22 (560 x 560)	21.81 (554)	21.81 (554)	24.5 (622)	24.5 (622)	22 (559)	22 (559)	2
	24 x 24 (610 x 610)	23.81 (605)	23.81 (605)	26.5 (673)	26.5 (673)	24 (610)	24 (610)	2
	24 x 36 (610 x 914)	35.81 (910)	23.81 (605)	26.5 (673)	38.5 (978)	24 (610)	36 (914)	3



**STANDARD FEATURES:** STAINLESS STEEL SCREW DRIVER OPERATED CAM LATCH, CARBON STEEL, PRIME COAT BAKED ENAMEL FINISH

**OPTIONS:**

**LOCK TYPE**

- CYLINDER LOCK & KEY
- ALLEN HEAD CAM LATCH
- SPANNER HEAD CAM LATCH
- OTHER

**MATERIAL**

- STAINLESS STEEL
- OTHER

**FINISH**

- #4 SATIN POLISH
- OTHER

JOB NAME:  
CUSTOMER:

APPROVED BY:  
DATE: